

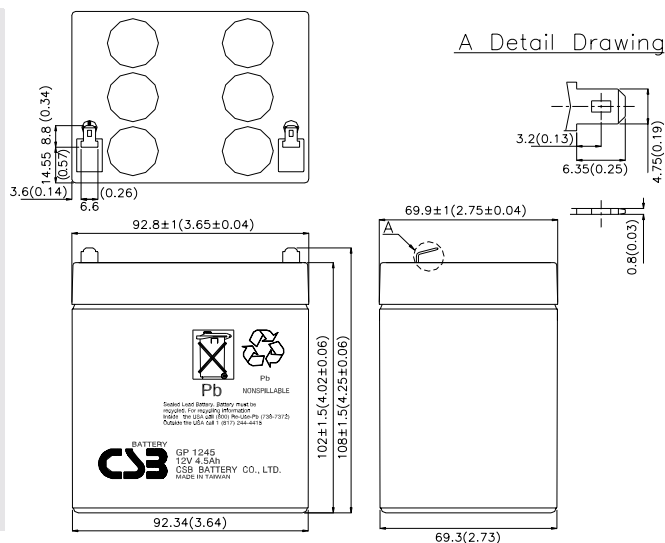
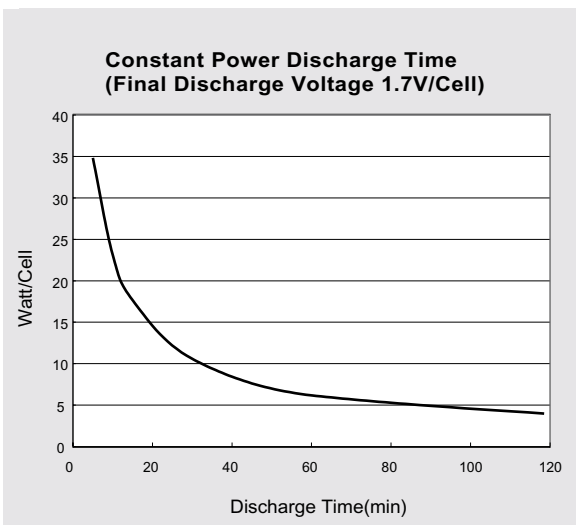
GP 1245

12V 4.5Ah

GP 1245 is a general purpose battery with 3-5 years in standby service or more than 260 cycles at 100% discharge in cycle service. As with all CSB batteries, all are rechargeable, highly efficient, maintenance free, leak proof, useable in any position and ISO certified as well as recognized by UL.

Specification

Cells per unit	6
Voltage per unit	13.05
Capacity	4.5Ah@20hr-rate to 1.75V per cell@25°C(77°F)
Weight	Approx 1.64kg(3.62 lbs)
Maximum Discharge Current	60A/90A(5sec)
Internal Resistance Approx.	Approx 45mΩ
Operating Temperature Range	Discharge: -15°C~50°C(5°F~122°F) Charge: 5°C~35°C(41°F~95°F) Storage:0°C~40°C(32°F~104°F)
Nominal Operating Temperature Range	25°C ± 3°C(77°F ± 5°F)
Float Charging Voltage	13.5 to 13.8 VDC/unit Average at 25°C (77°F)
Recommended Maximum Charging Current Limit	1.35A
Equalization and Cycle Service	14.4 to 15.0 VDC/unit Average at 25°C(77°F)
Self Discharge	CSB Batteries can be stored for more than 6 months at 25°C(77°F) Please charge batteries before using. For higher temperatures the time interval will be shorter.
Terminal	Faston Tab 187/250
Container Material	-ABS (General grade & 94V-2 flame retardant case)



Constant Power Discharge Characteristics Unit: Watts (25°C,77°F)

F.V/Time	5MIN	10MIN	15MIN	30MIN	60MIN	2HR	3HR	4HR	5HR	8HR	10HR	20HR
9.6V	224	147	109	64.4	37.3	21.6	15.1	11.9	9.72	6.42	5.27	2.80
10.2V	209	139	106	63.6	37.1	21.5	15.0	11.8	9.68	6.39	5.25	2.79
10.8V	180	128	101	61.5	36.4	21.1	14.9	11.7	9.61	6.34	5.17	2.70

Constant Current Discharge Characteristics Unit: A (25°C,77°F)

F.V/Time	5MIN	10MIN	15MIN	30MIN	60MIN	2HR	3HR	4HR	5HR	8HR	10HR	20HR
9.6V	18.7	12.3	9.08	5.37	3.11	1.80	1.26	0.994	0.810	0.535	0.439	0.234
10.2V	17.4	11.6	8.83	5.30	3.09	1.79	1.25	0.983	0.807	0.532	0.438	0.233
10.8V	15.0	10.7	8.42	5.13	3.03	1.76	1.24	0.975	0.801	0.529	0.431	0.225