

Applications and Key Benefits

- + OPzV 2V cells - 200Ah to 3000Ah nominal capacity
- Ideal for:
 - Telecom BTS
 - Emergency lighting and Security
 - Trains, Railway and Airports
 - Power plants and power distribution control and monitoring systems
- + Tubular positive plates
- + Electrolyte immobilized in gel
- + Excellent cycling performance, also at elevated temperature
- + Deep discharge proof
- + 18 years design life
- + Minimal gassing
- + Non-spillable
- + Maintenance free without topping-up
- + Completely Recyclable

Applicable Standards

- DIN 40742 - specification OPzV cells
- DIN 43539T5 - deep discharge
- IEC 60896 Part 21 - VRLA methods of testing
- IEC 60896 Part 22 - VRLA requirements
- Eurobat "Long Life" - 12 years and longer

FIAMM Manufacturing

- ISO 9001 Quality Management System
- ISO 14001 Environmental Management System

Technical Features

- Tubular positive plates, pressure cast from high tin / low calcium alloy
- Capacities exceed DIN nominal values
- Electrolyte immobilized in gel structure
- Highly porous gauntlets retain the active material
- Pasted negative plates designed to have service lives consistent with the positive plates
- Separators with extremely high porosity and low internal resistance
- Standard ABS plastic (Optional flame retardant plastics ABS IEC 707 FV0 and UL 94 V0 with LOI greater than 28%)
- Container and lid designed for unsurpassed mechanical strength made of thick walled plastics
- Threaded female M10 terminal posts guarantee highest conductivity, maximum torque retention and easy installation
- High integrity post seal design to prevent electrolyte leakage and terminal corrosion
- Flame arrestors prevent sparks or flames from entering the cell
- Cells equipped with one-way safety valves to allow excess gas to escape when overcharging
- < 2% self-discharge per month at 20°C allows 6 months shelf life
- Installation in vertical or horizontal position
- Flexible, fully insulated cable connectors with insulated screw with probe hole on the top for voltage measurement



ENDURLITE SMG OPzV

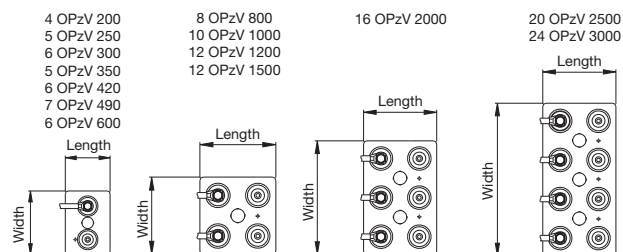
FIAMM SMG OPzV range

DIN 40742 Type	MODEL	CAPACITY (Ah) at 20°C	SHORT CIRCUIT CURRENT (A)	INTERNAL RESISTANCE (mOhm)	WEIGHT (kg)	DIMENSIONS (mm)		
		10 hrs to 1.80 VPC	IEC 60896 21-22	IEC 60896 21-22		Length	Width	Height*
4 OPzV 200	SMG 220	220	2700	0.740	20	103	206	406
5 OPzV 250	SMG 275	275	3520	0.592	23	124	206	406
6 OPzV 300	SMG 330	330	4100	0.493	27	145	206	406
5 OPzV 350	SMG 380	380	3350	0.607	29	124	206	523
6 OPzV 420	SMG 460	460	3990	0.502	35	145	206	523
7 OPzV 490	SMG 530	530	4640	0.436	39	166	206	523
6 OPzV 600	SMG 720	720	6220	0.321	50	145	206	698
8 OPzV 800	SMG 960	960	7120	0.284	67	210	191	698
10 OPzV 1000	SMG 1200	1200	8820	0.227	82	210	233	698
12 OPzV 1200	SMG 1440	1440	10530	0.190	96	210	275	698
12 OPzV 1500	SMG 1680	1680	11730	0.170	115	210	275	848
16 OPzV 2000	SMG 2250	2250	15810	0.127	160	212	397	824
20 OPzV 2500	SMG 2800	2800	20050	0.102	197	212	487	824
24 OPzV 3000	SMG 3350	3350	23490	0.086	230	212	576	824

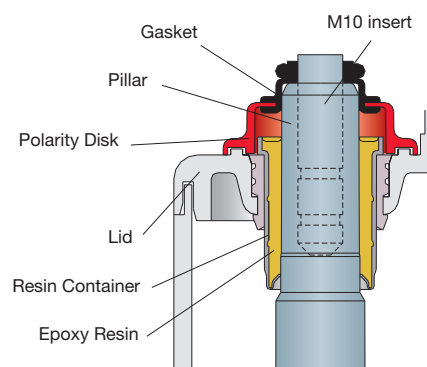
* Total height including standard connection screw

Electrical Characteristics

- NOMINAL VOLTAGE: 2 V
- FLOAT VOLTAGE AT 20°C: 2.23 V/cell
- BOOST RECHARGE: 2.4 V/cell



High Reliability Post Seal



FIAMM reserves the right to change or revise without notice any information or detail given in this publication
SMG_EMEA_2011_11_23

FIAMM S.p.A.
Industrial Batteries
www.fiamm.com
email:info.standby@fiamm.com

FIAMM

Industrial Batteries