



NPD121700

AGM Deep Cycle Battery

General Features

- Oxygen recombination technology: maintenance-free.
- The patent grid alloy: less gassing, low self-discharging.
- Special paste formula: additives for deep discharge, long cycle life.
- High quality AGM separator: extend cycle life and prevent micro short circuit.
- The patent Nano silica gel electrolytes: improve the deep discharge performance.
- Cast on strap (COS) welding technology for high consistency and reliability.
- ABS container: increase the strength of battery.



Application

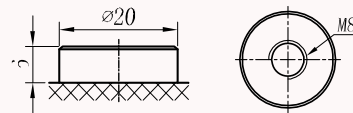
- Electric vehicle
- Lawn mowers
- Illumination light
- Wheelchairs
- Sweeper
- Electric toys
- Electric tools
- Golf trolley and golf cart

Specification

| | |
|-------------------------------------|--|
| Nominal Voltage | 12V |
| Nominal Capacity | 170Ah ,C20@1.80Vpc, 25°C(77°F) |
| Dimension | Length 341mm(13.40inch) |
| | Width 172mm(6.77 inch) |
| | Container Height 279mm(10.98 inch) |
| | Total Height (With Terminal) 283mm(11.10 inch) |
| Rated Capacity (25°C/77°F) | 170Ah/(20Hr, 1.80V/cell) |
| | 164Ah/ (10Hr, 1.80V/cell) |
| | 145Ah/(5Hr, 1.75V/cell) |
| | 139Ah/(3Hr, 1.75V/cell) |
| Weight | 118Ah/(1Hr, 1.70V/cell) |
| | 45Kg ±5% (99.21lbs) |
| | Terminal |
| Container Material | ABS |
| Operating Temp. Range | Discharge: -20 to +50°C(-4~122°F) |
| | Charge: -20 to +50°C(-4~122°F) |
| | Storage: -20 to +50°C(-4~122°F) |
| Capacity affected by Temperature | 102% @ 40°C(104°F) |
| | 100% @ 25°C(77°F) |
| | 85% @ 0°C(32°F) |
| | 65% @ -15°C(5°F) |

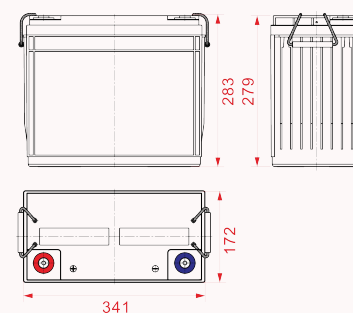
Terminal

Unit:mm



Dimension

Unit:mm



This information is generally descriptive only and is not intended to make or imply any representation, guarantee or warranty with respect to any cells and batteries. Cell and Battery designs/specification are subject to modification without notice. Contact YHI Power for latest information.

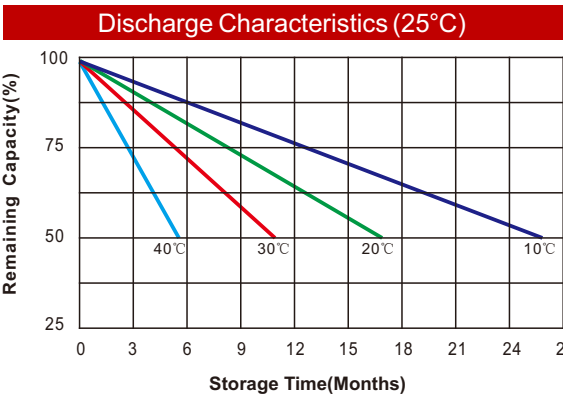
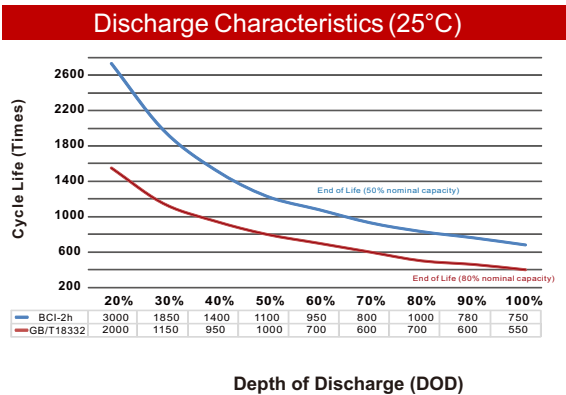
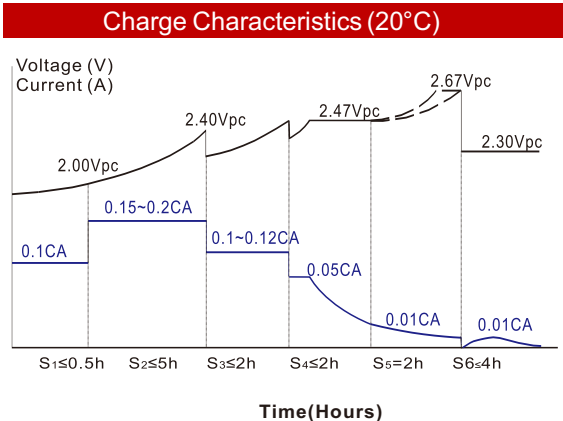
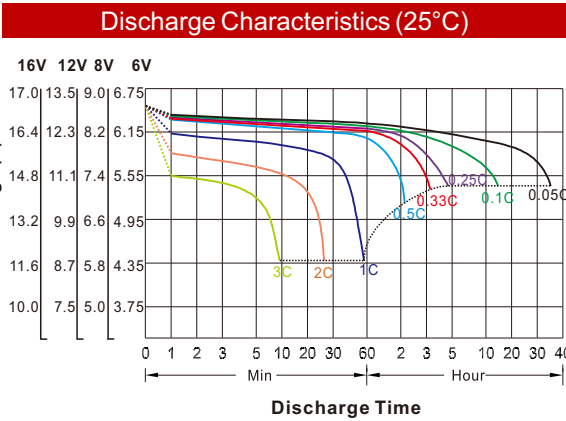
YHI POWER Pty. Ltd Melbourne Head Office: 20-22 Venture Way, Braeside, VIC 3195 Ph: 03 9588 1888 Web: yhipower.com.au

Charge Performance

| Constant Current Discharge Table (25°C/77°F) Unit: A | | | | | | | | | | | | | | | |
|--|-------|-------|-------|-------|-------|-------|-------|------|------|------|------|-------|-------|-------|------|
| F.V/Time | 5min | 10min | 15min | 20min | 30min | 45min | 1h | 2h | 3h | 4h | 5h | 6h | 8h | 10h | 20h |
| 1.85V/cell | 539.6 | 367.9 | 313.3 | 257.5 | 189.3 | 135.2 | 107.1 | 64.0 | 43.9 | 33.4 | 27.3 | 23.05 | 18.03 | 15.84 | 8.37 |
| 1.80V/cell | 582.7 | 383.6 | 321.1 | 263.9 | 195.5 | 138.6 | 110.2 | 65.5 | 45.0 | 34.2 | 27.9 | 23.63 | 18.54 | 16.35 | 8.50 |
| 1.75V/cell | 616.1 | 401.2 | 329.6 | 270.3 | 201.4 | 144.3 | 114.5 | 67.3 | 46.2 | 35.2 | 28.9 | 24.47 | 19.09 | 16.69 | 8.62 |
| 1.70V/cell | 633.7 | 411.0 | 340.7 | 277.1 | 206.3 | 148.0 | 118.2 | 68.9 | 47.1 | 36.2 | 29.7 | 25.12 | 19.76 | 17.04 | 8.75 |
| 1.65V/cell | 645.5 | 423.8 | 348.6 | 284.0 | 210.9 | 152.8 | 122.5 | 70.5 | 48.5 | 37.1 | 30.4 | 25.83 | 20.23 | 17.34 | 8.91 |
| 1.60V/cell | 662.2 | 441.5 | 361.0 | 293.3 | 216.5 | 157.0 | 124.9 | 72.6 | 50.0 | 38.3 | 31.2 | 26.49 | 20.72 | 17.74 | 9.06 |

| Constant Power Discharge Table (25°C/77°F) Unit: W | | | | | | | | | | | | | | | |
|--|--------|-------|-------|-------|-------|-------|--------|-------|------|------|------|-------|-------|-------|-------|
| F.V/Time | 5min | 10min | 15min | 20min | 30min | 45min | 1h | 2h | 3h | 4h | 5h | 6h | 8h | 10h | 20h |
| 1.85V/cell | 1004.8 | 690.5 | 592.5 | 492.9 | 366.1 | 263.6 | 209.70 | 126.2 | 86.9 | 66.5 | 54.4 | 46.01 | 36.04 | 31.74 | 16.81 |
| 1.80V/cell | 1070.7 | 710.4 | 600.7 | 499.3 | 373.9 | 268.2 | 214.60 | 128.4 | 88.7 | 67.7 | 55.3 | 47.00 | 36.95 | 32.66 | 17.00 |
| 1.75V/cell | 1105.2 | 729.7 | 608.3 | 506.3 | 381.9 | 277.3 | 221.7 | 131.3 | 90.7 | 69.4 | 57.2 | 48.50 | 37.94 | 33.27 | 17.22 |
| 1.70V/cell | 1108.4 | 733.6 | 622.0 | 513.8 | 388.2 | 282.7 | 228.2 | 134.1 | 92.3 | 71.2 | 58.6 | 49.67 | 39.21 | 33.93 | 17.46 |
| 1.65V/cell | 1112.6 | 748.4 | 629.7 | 523.9 | 394.1 | 290.6 | 235.4 | 136.6 | 94.5 | 72.7 | 59.8 | 50.94 | 40.05 | 34.46 | 17.75 |
| 1.60V/cell | 1115.3 | 759.8 | 641.3 | 533.8 | 401.3 | 295.9 | 238.0 | 139.6 | 96.8 | 74.6 | 61.1 | 52.05 | 40.90 | 35.17 | 18.00 |

Performance Curve



This information is generally descriptive only and is not intended to make or imply any representation, guarantee or warranty with respect to any cells and batteries. Cell and Battery designs/specification are subject to modification without notice. Contact YHI Power for latest information.