



# NPD62300

## AGM Deep Cycle Battery

### General Features

- Oxygen recombination technology: maintenance-free.
- The patent grid alloy: less gassing, low self-discharging.
- Special paste formula: additives for deep discharge, long cycle life.
- High quality AGM separator: extend cycle life and prevent micro short circuit.
- The patent Nano silica gel electrolytes: improve the deep discharge performance.
- Cast on strap (COS) welding technology for high consistency and reliability.
- ABS container: increase the strength of battery.



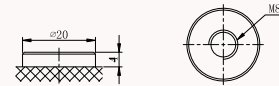
### Application

- Electric vehicle
- Lawn mowers
- Illumination light
- Wheelchairs
- Sweeper
- Electric toys
- Electric tools
- Golf trolley and golf cart

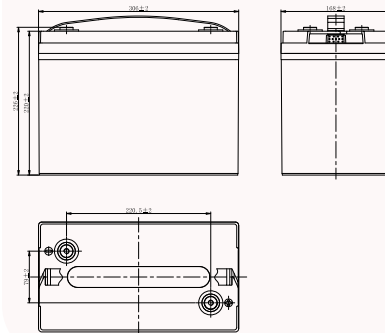
### Specification

Nominal Voltage	6V
Nominal Capacity	230Ah, C20@1.80Vpc, 25°C (77°F)
Dimension	Length 306mm (12.05 inch)
	Width 168mm (6.61 inch)
	Container Height 220mm (8.66 inch)
	Total Height (With Terminal) 226mm (8.86 inch)
Rated Capacity (25°C/77°F)	230 Ah/(20Hr, 1.80V/cell)
	222 Ah/(10Hr, 1.80V/cell)
	196 Ah/(5Hr, 1.75V/cell)
	188 Ah/(3Hr, 1.75V/cell)
Weight	160 Ah/(1Hr, 1.70V/cell)
	30.5Kg ±5% (67.24 lbs)
	Terminal Female Copper Insert M8
Container Material	ABS
Operating Temp. Range	Discharge: -20 to +50°C(-4~122°F)
	Charge: -20 to +50°C(-4~122°F)
	Storage: -20 to +50°C(-4~122°F)
Capacity affected by Temperature	102% @ 40°C(104°F)
	100% @ 25°C(77°F)
	85% @ 0°C(32°F)
	65% @ -15°C(5°F)

### Terminal Unit:mm



### Dimension Unit:mm



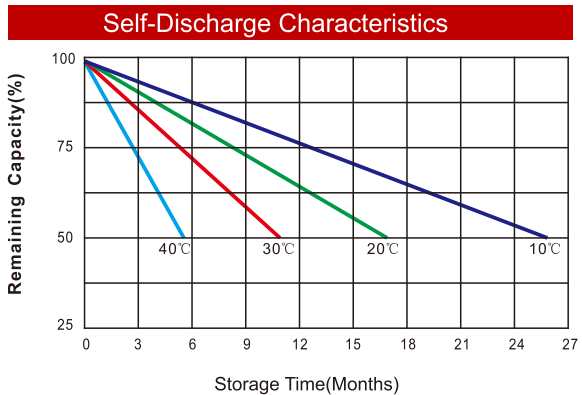
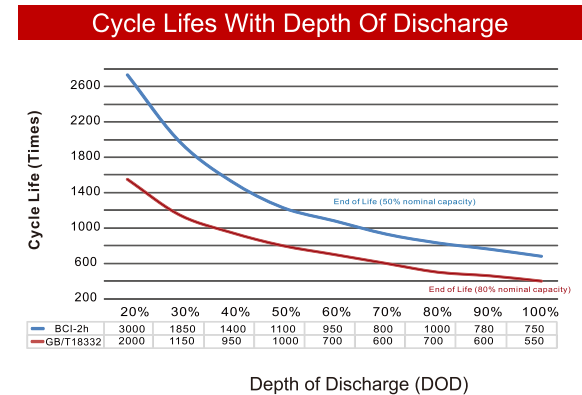
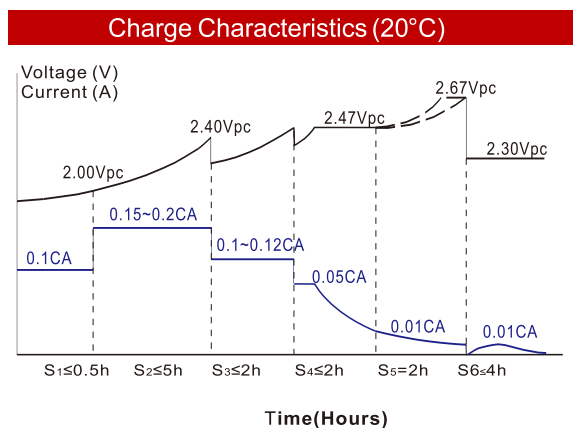
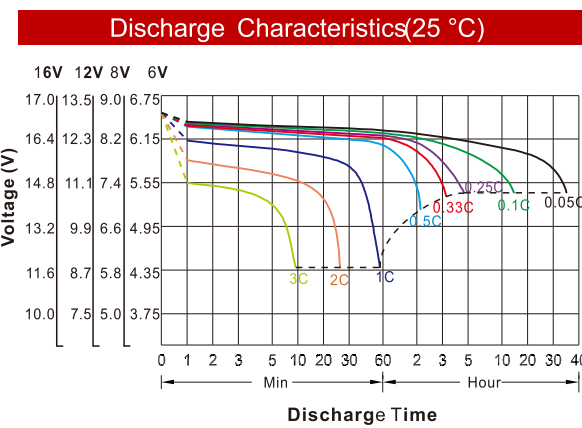
This information is generally descriptive only and is not intended to make or imply any representation, guarantee or warranty with respect to any cells and batteries. Cell and Battery designs/specification are subject to modification without notice. Contact YHI Power for latest information.

YHI POWER Pty. Ltd Melbourne Head Office: 20-22 Venture Way, Braeside, VIC 3195 Ph: 03 9588 1888 Web: [yhipower.com.au](http://yhipower.com.au)

Charge Performance

Constant Current Discharge Table (25°C/77°F) Unit: A														
F.V/Time	10min	15min	20min	30min	45min	1h	2h	3h	4h	5h	6h	8h	10h	20h
1.85V/cell	498.4	424.4	348.9	256.5	183.1	145.1	86.72	59.44	45.30	36.99	31.23	24.42	21.46	11.34
1.80V/cell	519.6	435.0	357.5	264.9	187.8	149.3	88.71	60.91	46.35	37.79	32.01	25.11	22.15	11.51
1.75V/cell	543.6	446.5	366.1	272.9	195.5	155.1	91.15	62.54	47.68	39.16	33.15	25.86	22.62	11.68
1.70V/cell	556.9	461.6	375.4	279.5	200.5	160.1	93.36	63.87	49.06	40.22	34.04	26.77	23.09	11.85
1.65V/cell	574.1	472.2	384.7	285.7	207.0	165.9	95.47	65.64	50.28	41.24	35.00	27.41	23.50	12.07
1.60V/cell	598.1	489.1	397.4	293.3	212.6	169.2	98.35	67.71	51.94	42.31	35.88	28.08	24.03	12.27

Constant Power Discharge Table (25°C/77°F) Unit: W														
F.V/Time	10min	15min	20min	30min	45min	1h	2h	3h	4h	5h	6h	8h	10h	20h
1.85V/cell	935.5	802.7	667.8	495.9	357.1	284.1	171.0	117.7	90.05	73.71	62.33	48.83	43.00	22.77
1.80V/cell	962.4	813.8	676.5	506.5	363.3	290.8	174.0	120.1	91.76	74.95	63.67	50.06	44.24	23.04
1.75V/cell	988.6	824.1	685.9	517.4	375.7	300.3	177.9	122.9	94.02	77.42	65.71	51.40	45.07	23.32
1.70V/cell	993.9	842.6	696.1	525.9	383.0	309.1	181.6	125.0	96.42	79.32	67.29	53.12	45.97	23.66
1.65V/cell	1013.9	853.0	709.8	534.0	393.7	318.9	185.0	128.0	98.48	81.06	69.01	54.25	46.68	24.05
1.60V/cell	1029.4	868.8	723.2	543.6	400.9	322.5	189.1	131.2	101.12	82.77	70.52	55.41	47.64	24.39



This information is generally descriptive only and is not intended to make or imply any representation, guarantee or warranty with respect to any cells and batteries. Cell and Battery designs/specification are subject to modification without notice. Contact YHI Power for latest information.  
 YHI POWER Pty. Ltd Melbourne Head Office: 20-22 Venture Way, Braeside, VIC 3195 Ph: 03 9588 1888 Web: yhipower.com.au