



NPD62350

AGM Deep Cycle Battery

General Features

- Oxygen recombination technology: maintenance-free.
- The patent grid alloy: less gassing, low self-discharging.
- Special paste formula: additives for deep discharge, long cycle life.
- High quality AGM separator: extend cycle life and prevent micro short circuit.
- The patent Nano silica gel electrolytes: improve the deep discharge performance.
- Cast on strap (COS) welding technology for high consistency and reliability.
- ABS container: increase the strength of battery.



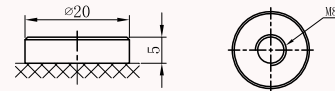
Application

- Electric vehicle
- Lawn mowers
- Illumination light
- Wheelchairs
- Sweeper
- Electric toys
- Electric tools
- Golf trolley and golf cart

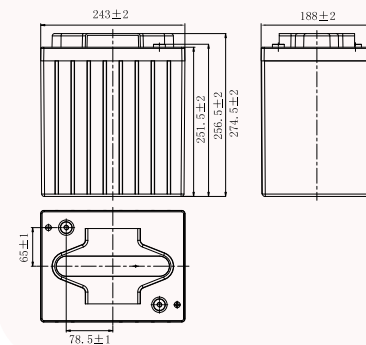
Specification

Nominal Voltage	6V	
Nominal Capacity	235 Ah, C20@1.80Vpc, 25°C (77°F)	
Dimension	Length 243mm (9.57 inch)	
	Width 187.5mm (7.38 inch)	
	Container Height 275mm (10.8 inch)	
	Total Height (With Terminal) 275mm (10.8 inch)	
Rated Capacity (25°C/77°F)	235 Ah/(20Hr, 1.80V/cell)	
	227 Ah/(10Hr, 1.80V/cell)	
	200 Ah/(5Hr, 1.75V/cell)	
	192 Ah/(3Hr, 1.75V/cell)	
Weight	32.5 Kg ±5% (71.65 lbs)	
	Terminal	Female Copper Insert M8
	Container Material	ABS
Operating Temp. Range	Discharge: -20 to +50°C(-4~122°F)	
	Charge: -20 to +50°C(-4~122°F)	
	Storage: -20 to +50°C(-4~122°F)	
Capacity affected by Temperature	102% @ 40°C(104°F)	
	100% @ 25°C(77°F)	
	85% @ 0°C(32°F)	
	65% @ -15°C(5°F)	

Terminal Unit:mm



Dimension Unit:mm



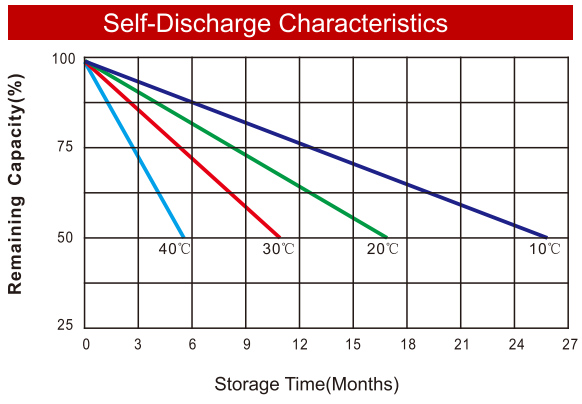
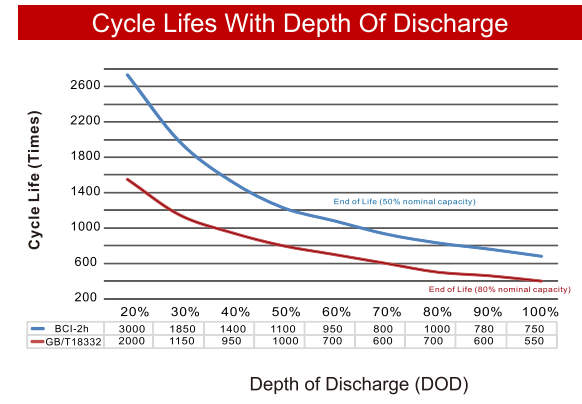
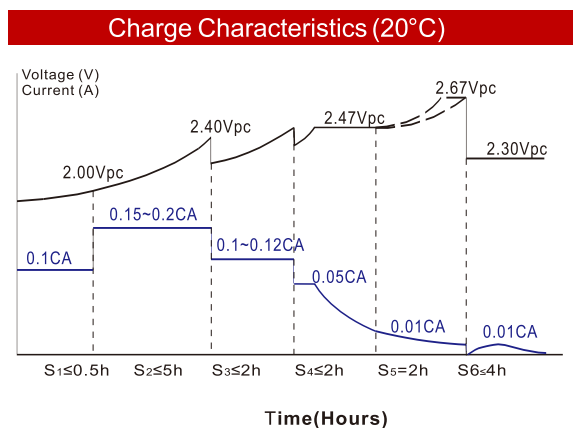
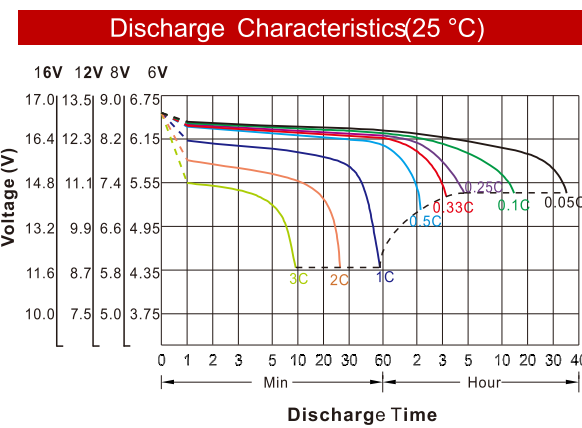
This information is generally descriptive only and is not intended to make or imply any representation, guarantee or warranty with respect to any cells and batteries. Cell and Battery designs/specification are subject to modification without notice. Contact YHI Power for latest information.

YHI POWER Pty. Ltd Melbourne Head Office: 20-22 Venture Way, Braeside, VIC 3195 Ph: 03 9588 1888 Web: yhipower.com.au

Charge Performance

Constant Current Discharge Table (25°C/77°F) Unit: A														
F.V/Time	10min	15min	20min	30min	45min	1h	2h	3h	4h	5h	6h	8h	10h	20h
1.85V/cell	509.6	434.0	356.7	262.3	187.2	148.4	88.67	60.78	46.32	37.83	31.94	24.97	21.95	11.60
1.80V/cell	531.4	444.8	365.6	270.9	192.1	152.7	90.71	62.29	47.40	38.64	32.73	25.68	22.65	11.77
1.75V/cell	555.8	456.6	374.4	279.0	199.9	158.6	93.20	63.95	48.75	40.05	33.90	26.44	23.13	11.94
1.70V/cell	569.4	472.0	383.9	285.8	205.1	163.8	95.47	65.31	50.17	41.13	34.81	27.38	23.61	12.12
1.65V/cell	587.1	482.9	393.4	292.2	211.7	169.6	97.62	67.12	51.42	42.17	35.79	28.03	24.03	12.34
1.60V/cell	611.6	500.1	406.3	299.9	217.4	173.0	100.57	69.23	53.11	43.26	36.69	28.71	24.58	12.55

Constant Power Discharge Table (25°C/77°F) Unit: W														
F.V/Time	10min	15min	20min	30min	45min	1h	2h	3h	4h	5h	6h	8h	10h	20h
1.85V/cell	956.6	820.8	682.8	507.1	365.1	290.5	174.8	120.4	92.08	75.37	63.74	49.93	43.97	23.28
1.80V/cell	984.1	832.1	691.7	517.9	371.5	297.3	177.9	122.8	93.83	76.64	65.11	51.19	45.24	23.56
1.75V/cell	1010.9	842.7	701.4	529.0	384.1	307.1	181.9	125.6	96.14	79.17	67.19	52.56	46.09	23.85
1.70V/cell	1016.3	861.7	711.8	537.8	391.7	316.1	185.7	127.9	98.60	81.11	68.81	54.32	47.01	24.19
1.65V/cell	1036.7	872.3	725.8	546.0	402.6	326.1	189.2	130.9	100.71	82.89	70.56	55.48	47.73	24.59
1.60V/cell	1052.6	888.4	739.5	555.9	409.9	329.8	193.4	134.1	103.40	84.64	72.11	56.67	48.72	24.94



This information is generally descriptive only and is not intended to make or imply any representation, guarantee or warranty with respect to any cells and batteries. Cell and Battery designs/specification are subject to modification without notice. Contact YHI Power for latest information.
 YHI POWER Pty. Ltd Melbourne Head Office: 20-22 Venture Way, Braeside, VIC 3195 Ph: 03 9588 1888 Web: yhipower.com.au