



BOSCH

Invented for life

Bosch SM Mega Power Plus

22FR-610 - Maintenance Free / Calcium, Calcium Technology

Applications

Passenger Vehicle
Light Commercial Vehicle



Image is generic & may vary to actual product

Bosch Master Data

Short Order Part Number

22FR-610

Product Series

SM Mega Power Plus

Bosch 10 Digit Part Number

0092S47067

Technology

Calcium, Calcium

EAN Barcode

4047025571296

Warranty Period

Refer www.boschaftermarket.com.au

Refer www.boschaftermarket.co.nz

Technical Information

Nominal Voltage

12V

Cold Cranking Amperes (CCA)

610 Amps

Nominal Capacity (20HR)

55AH

Reserve Capacity

90 Mins

Case Size Dimension

Length

240 mm (9.44 inches)

Total Height (with Terminal)

203 mm (8.00 inches)

Width

172 mm (6.77 inches)

Case Size

22F

Container Height

180 mm (7.08 inches)

Approx Weight (Gross)

14.70 kg (32.34 lbs)

Lid Design

Labrynth Lid

Terminal

(+-)

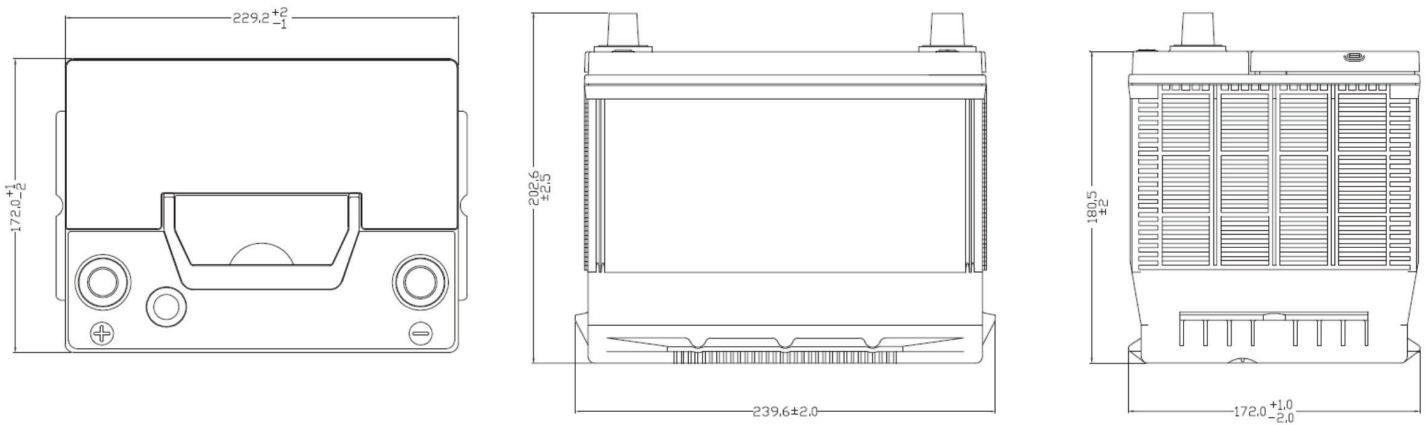
Base Hold Down

B9

Container Material

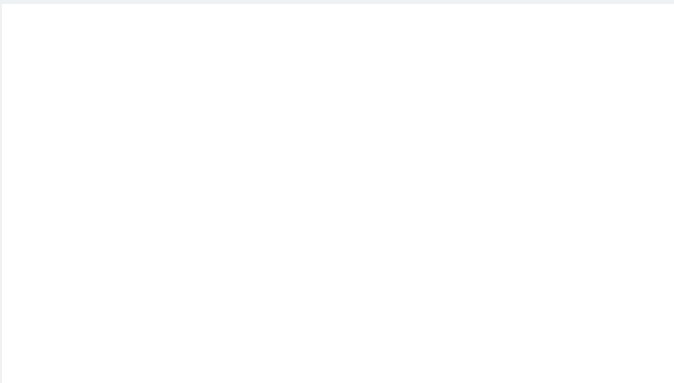
Polypropylene

Product Dimension & Design



Product Performance Overview

Depth of Discharge Cycling Test



Discharge Characteristics Test



Your address for genuine Bosch quality:

Dealer stamp here: