

**BOSCH**

Invented for life

Bosch ST Hightec

T110L - Maintenance Free / EFB Technology

Applications

Light Commercial & 4WD, SUV (incl. Start / Stop Applications)

Bosch Master Data

Short Order Part Number	Bosch 13 Digit Part Number	EAN Barcode
T110L	0092S57109HH4	4047026257434
Product Series	Technology	Warranty Period
ST Hightec	EFB (Enhanced Flooded Battery)	Refer www.boschaftermarket.com.au
		Refer www.boschaftermarket.co.nz

Technical Information

Nominal Voltage	Nominal Capacity (20HR)	Reserve Capacity
12V	94 AH	170 mins

Coldcranking Amps (CCA)

820 Amps

Case Size Dimension

Length	Width	Container Height
305 mm (12.0 inches)	172 mm (6.77 inches)	199 mm (7.83 inches)

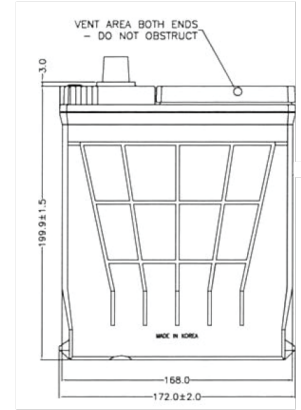
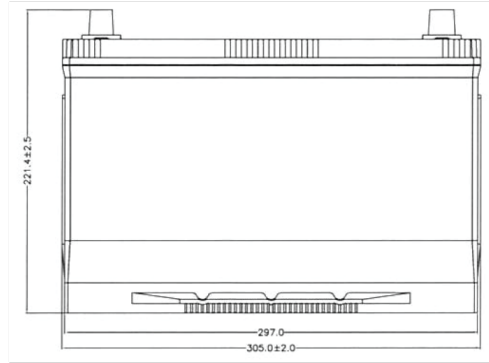
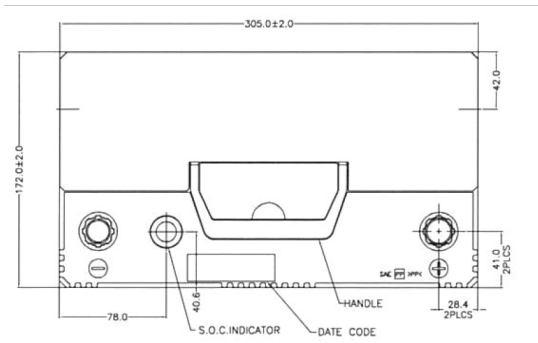
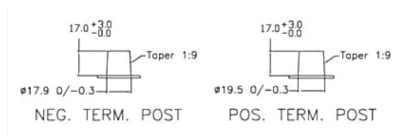
Total Height (with Terminal)

222 mm (8.74 inches)

Approx Weight	Terminal	Container Material
23.00 kg (50.70 lbs)	(-+)	Polypropylene
Lid Design	Base Hold Down	
Labrynth Lid	B7	

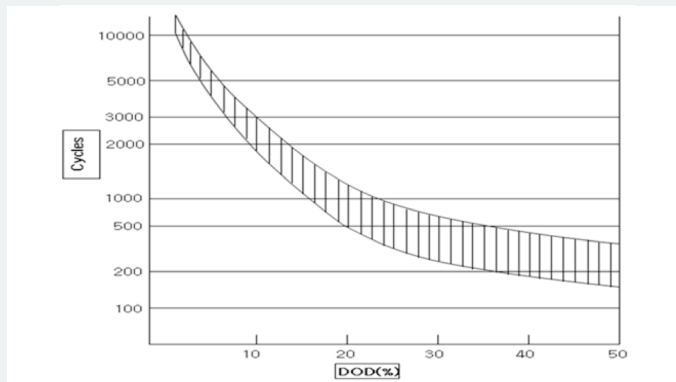
Product Dimension & Design

Terminal

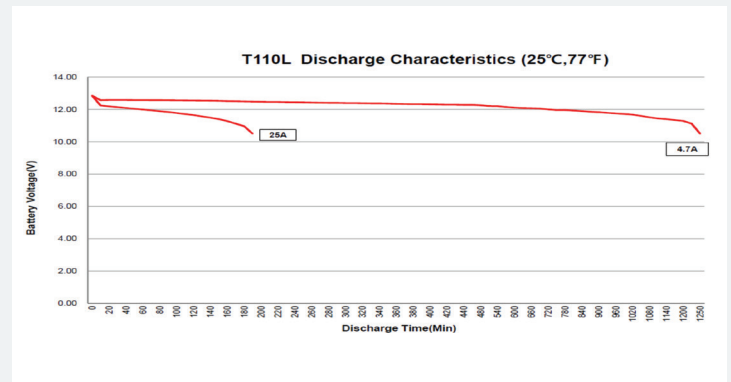


Product Performance Overview

Depth of Discharge Cycling Test



Discharge Characteristics Test



Your address for genuine Bosch quality:

Dealer stamp here: