



BOSCH

Invented for life

Bosch ST Hightec

DIN LN5 - Maintenance Free / AGM Technology

Applications

Passenger Vehicles
Start / Stop Vehicles inc. Non Start / Stop Applications



Image is generic & may vary to actual product

Bosch Master Data

Short Order Part Number	Bosch 10 Digit Part Number	EAN Barcode
DIN LN5	0092S67119	4047026230239
Product Series	Technology	Warranty Period
ST Hightec	AGM (Absorbent Glass Mat)	Refer www.boschaftermarket.com.au
		Refer www.boschaftermarket.co.nz

Technical Information

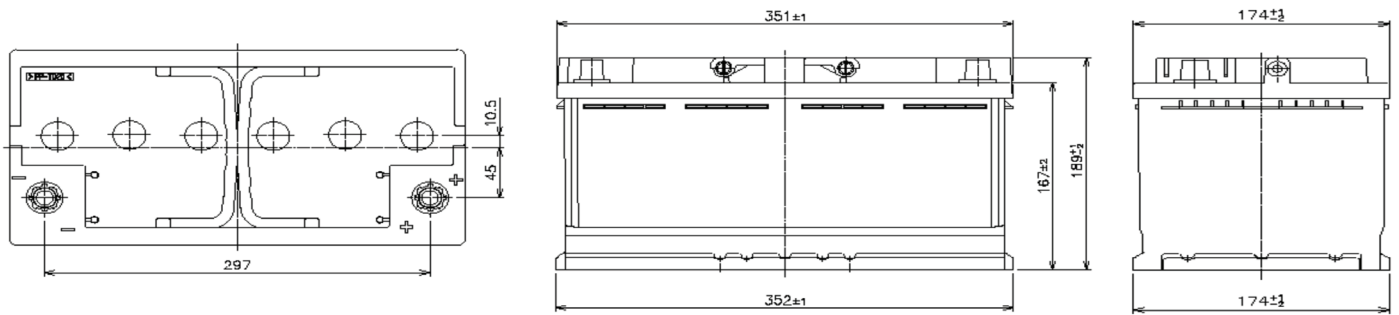
Nominal Voltage	Nominal Capacity (20HR)	Reserve Capacity
12V	92AH	160 Mins
Cold Cranking Amperes (CCA)		
850 Amps		

Case Size Dimension

Length	Width	Container Height
353 mm (13.89 inches)	175mm (6.89 inches)	167mm (6.57 inches)
Total Height (with Terminal)	Case Size	
190mm (7.48 inches)	LN5	

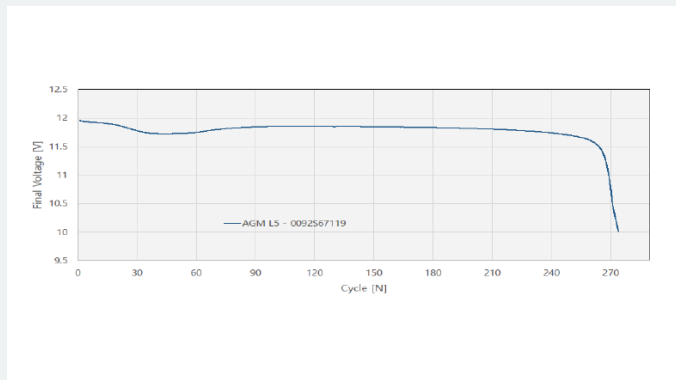
Approx Weight (Gross)	Terminal	Container Material
27.00 kg (59.40 lbs)	(-+)	Polypropylene
Lid Design	Base Hold Down	
Labrynth Lid	B3	

Product Dimension & Design

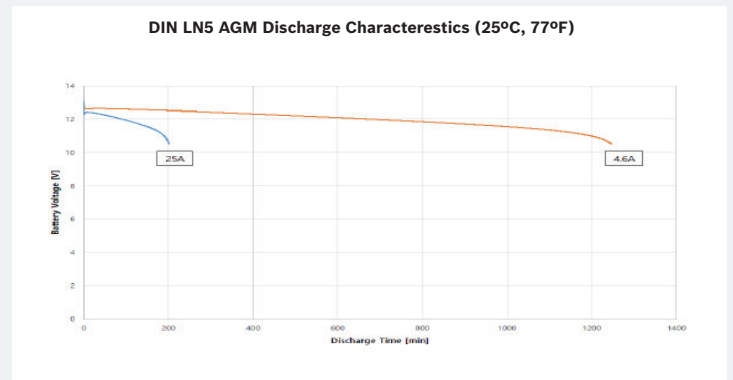


Product Performance Overview

Depth of Discharge Cycling Test



Discharge Characteristics Test



Your address for genuine Bosch quality:

Dealer stamp here: