



NPD12400

AGM Deep Cycle Battery

General Features

- Oxygen recombination technology: maintenance-free.
- The patent grid alloy: less gassing, low self-discharging.
- Special paste formula: additives for deep discharge, long cycle life.
- High quality AGM separator: extend cycle life and prevent micro short circuit.
- The patent Nano silica gel electrolytes: improve the deep discharge performance.
- Cast on strap (COS) welding technology for high consistency and reliability.
- ABS container: increase the strength of battery.



Application

- Electric vehicle
- Lawn mowers
- Illumination light
- Wheelchairs
- Sweeper
- Electric toys
- Electric tools
- Golf trolley and golf cart

Specification

Nominal Voltage	12V
Nominal Capacity	40Ah ,C20@1.80Vpc, 25°C(77°F)
Dimension	Length 195mm(7.68 inch)
	Width 130mm(5.11 inch)
	Container Height 157.5mm(6.20inch)
	Total Height (With Terminal) 162mm(6.38 inch)
Rated Capacity (25°C/77°F)	40Ah/(20Hr, 1.80V/cell)
	39Ah/ (10Hr, 1.80V/cell)
	34Ah/(5Hr, 1.75V/cell)
	33Ah/(3Hr, 1.75V/cell)
Weight	28Ah/(1Hr, 1.70V/cell)
	11.1Kg ± 5% (24.54lbs)
Terminal	Female Copper Insert M5
Container Material	ABS
	Discharge: -20 to +50°C(-4~122°F)
Operating Temp. Range	Charge: -20 to +50°C(-4~122°F)
	Storage: -20 to +50°C(-4~122°F)
Capacity affected by Temperature	102% @ 40°C(104°F)
	100% @ 25°C(77°F)
	85% @ 0°C(32°F)
	65% @ -15°C(5°F)

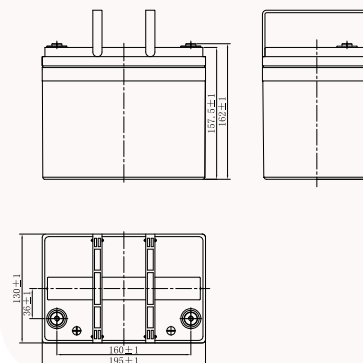
Terminal

Unit:mm



Dimension

Unit:mm



This information is generally descriptive only and is not intended to make or imply any representation, guarantee or warranty with respect to any cells and batteries. Cell and Battery designs/specification are subject to modification without notice. Contact YHI Power for latest information.

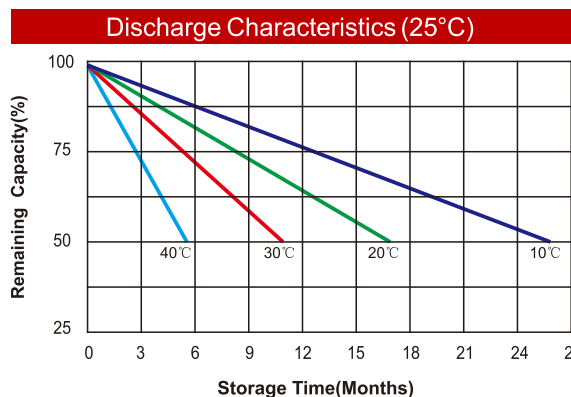
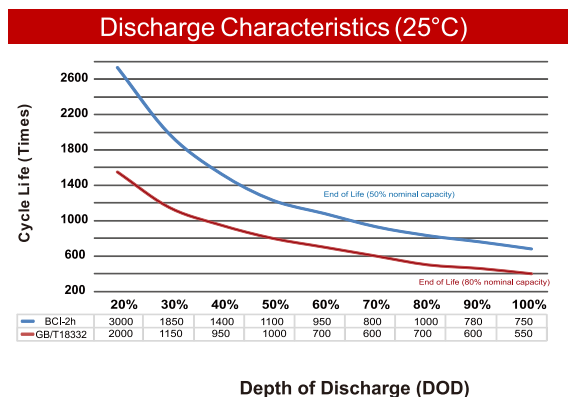
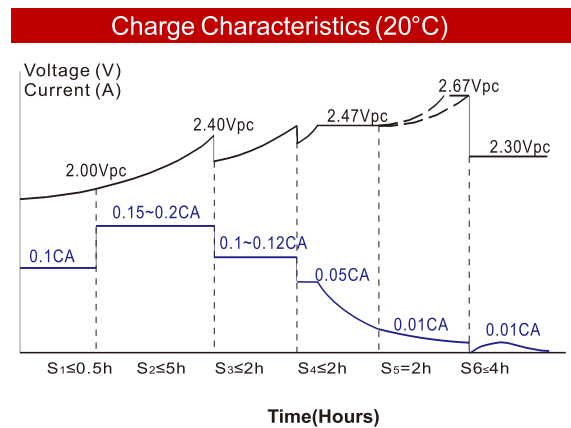
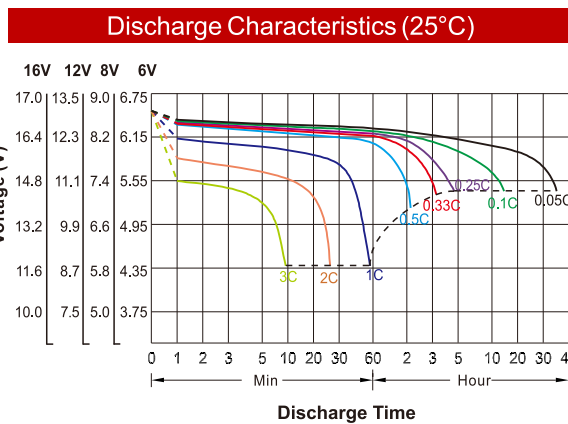
YHI POWER Pty. Ltd Melbourne Head Office: 20-22 Venture Way, Braeside, VIC 3195 Ph: 03 9588 1888 Web: yhipower.com.au

Discharge performance

Constant Current Discharge Table (25°C/77°F) Unit: A															
F.V/Time	5min	10min	15min	20min	30min	45min	1h	2h	3h	4h	5h	6h	8h	10h	20h
1.85V/cell	127.1	86.6	73.8	60.6	44.6	31.8	25.20	15.10	10.30	7.90	6.43	5.43	4.24	3.73	1.97
1.80V/cell	137.2	90.3	75.6	62.1	46.0	32.6	25.90	15.40	10.60	8.10	6.57	5.56	4.36	3.85	2.00
1.75V/cell	145.1	94.5	77.6	63.6	47.4	34.0	27.00	15.80	10.90	8.30	6.81	5.76	4.49	3.93	2.03
1.70V/cell	149.2	96.8	80.2	65.3	48.6	34.9	27.80	16.20	11.10	8.50	6.99	5.92	4.65	4.01	2.06
1.65V/cell	152.0	99.8	82.1	66.9	49.7	36.0	28.80	16.60	11.40	8.70	7.17	6.08	4.76	4.08	2.10
1.60V/cell	155.9	104.0	85.0	69.1	51.0	37.0	29.40	17.10	11.80	9.00	7.35	6.24	4.88	4.18	2.13

Constant Power Discharge Table (25°C/77°F) Unit: W															
F.V/Time	5min	10min	15min	20min	30min	45min	1h	2h	3h	4h	5h	6h	8h	10h	20h
1.85V/cell	236.6	162.6	139.5	116.1	86.2	62.1	49.40	29.70	20.50	15.70	12.81	10.83	8.49	7.47	3.96
1.80V/cell	252.1	167.3	141.4	117.6	88.0	63.1	50.50	30.20	20.90	15.90	13.03	11.07	8.70	7.69	4.00
1.75V/cell	260.3	171.8	143.2	119.2	89.9	65.3	52.20	30.90	21.40	16.30	13.46	11.42	8.93	7.83	4.05
1.70V/cell	261.0	172.7	146.5	121.0	91.4	66.6	53.70	31.60	21.70	16.80	13.79	11.70	9.23	7.99	4.11
1.65V/cell	262.0	176.2	148.3	123.4	92.8	68.4	55.40	32.20	22.30	17.10	14.09	11.99	9.43	8.11	4.18
1.60V/cell	262.6	178.9	151.0	125.7	94.5	69.7	56.10	32.90	22.80	17.60	14.39	12.26	9.63	8.28	4.24

Performance Curve



This information is generally descriptive only and is not intended to make or imply any representation, guarantee or warranty with respect to any cells and batteries. Cell and Battery designs/specification are subject to modification without notice. Contact YHI Power for latest information.