

OC-PRO1200L

BATTERY CHARGER & MAINTAINER



12V 12A / 8A / 1A
SELECTABLE CHARGE RATE

9 STAGE SMART CHARGING

AUTOMATIC REJUVENATION MODE

LITHIUM CHARGING

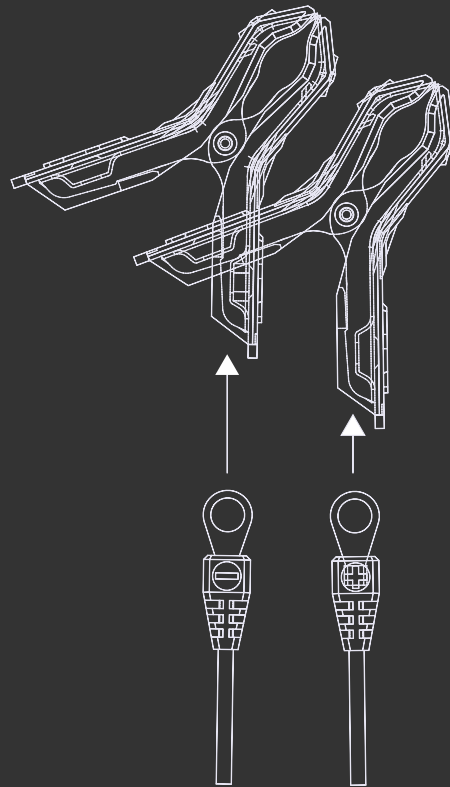
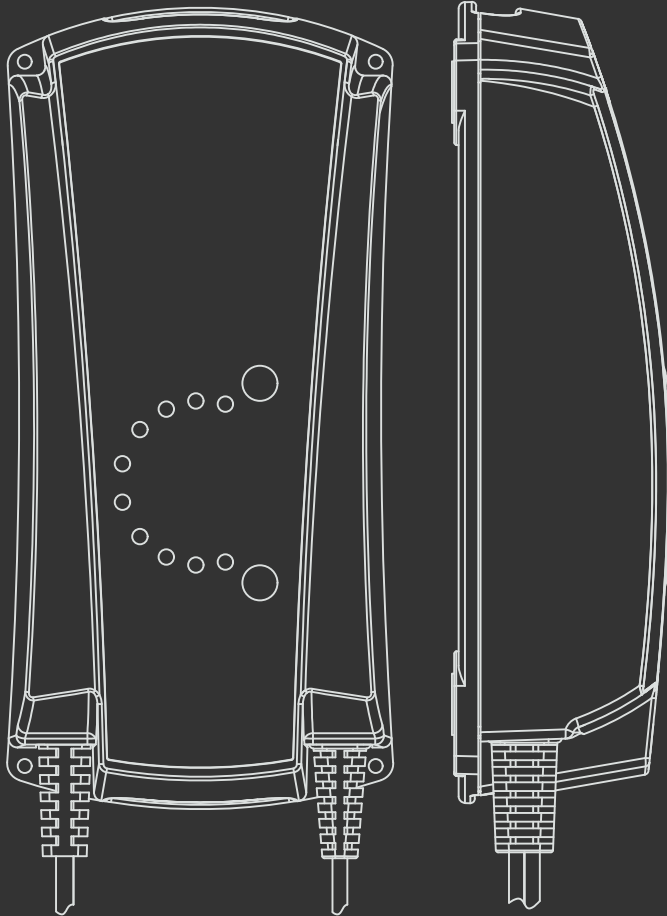
5 YEAR WARRANTY

SELECTABLE
RAPID CHARGE
SILENT CHARGE
TRICKLE CHARGE



OC-PRO1200L

BATTERY CHARGER & MAINTAINER



WHAT'S INCLUDED:

- 1 x PRO1200L battery charger & maintainer
- 1 x Set of integrated ring terminal and crocodile clips
- 1 x User guide and warranty information

SAFETY FEATURES

- Reverse Polarity Protection
- In-Built Temperature Sensor
- Over-Temperature Protection
- Over-Charge Protection
- Safety Timers

SPECIFICATIONS	OC-PRO1200L
Input	240VAC 50Hz
Power Consumption (max)	1.8A / 0.15A (175W)
Output	12V DC / 12A / 8A / 1A
Charge Voltage	14.1V / 14.4V / 14.7V DC
Float Trickle Voltage	13.6V DC
Start Voltage	2V DC
Ideal for Charging	3Ah - 240Ah
Ideal for Maintaining	3Ah - 360Ah
Dimensions	214 x 103 x 55 (mm)
Eco Mode	Yes
Approvals	AS/NZS 60335.2.29 AZ/NZS CISPR 14.1