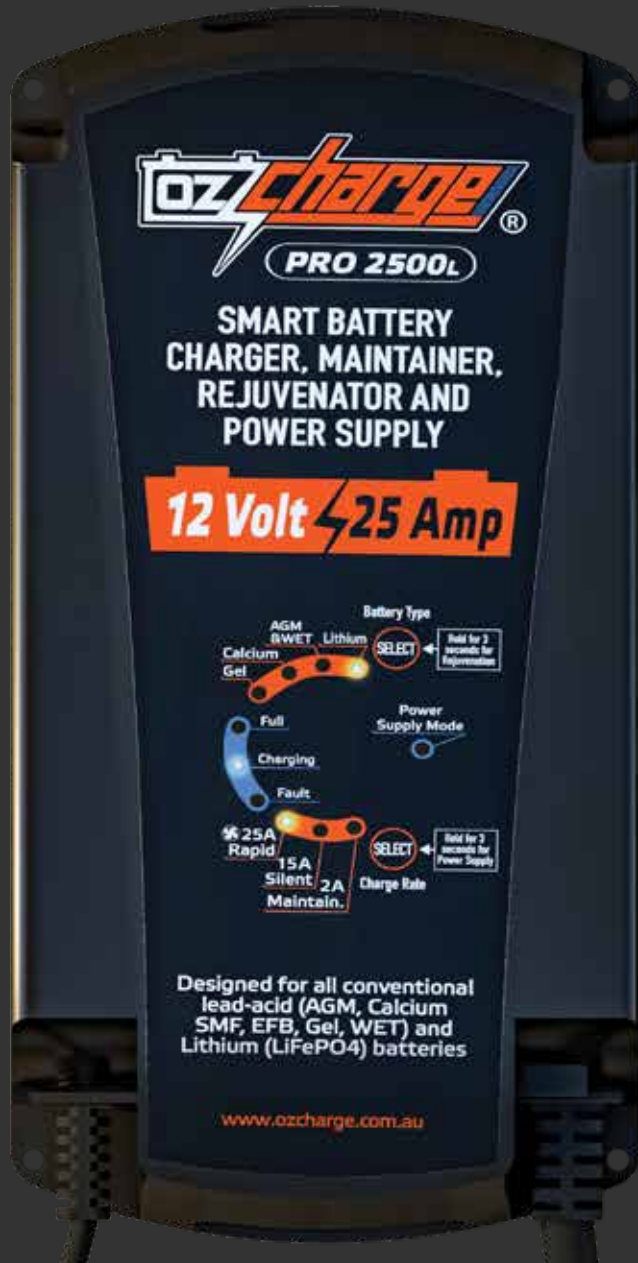


OC-PRO2500L

BATTERY CHARGER & MAINTAINER



SELECTABLE
RAPID CHARGE
SILENT CHARGE
TRICKLE CHARGE



12V 25A / 12A / 2A
SELECTABLE CHARGE RATE

9 STAGE SMART CHARGING

25A POWER SUPPLY MODE

AUTOMATIC REJUVENATION MODE

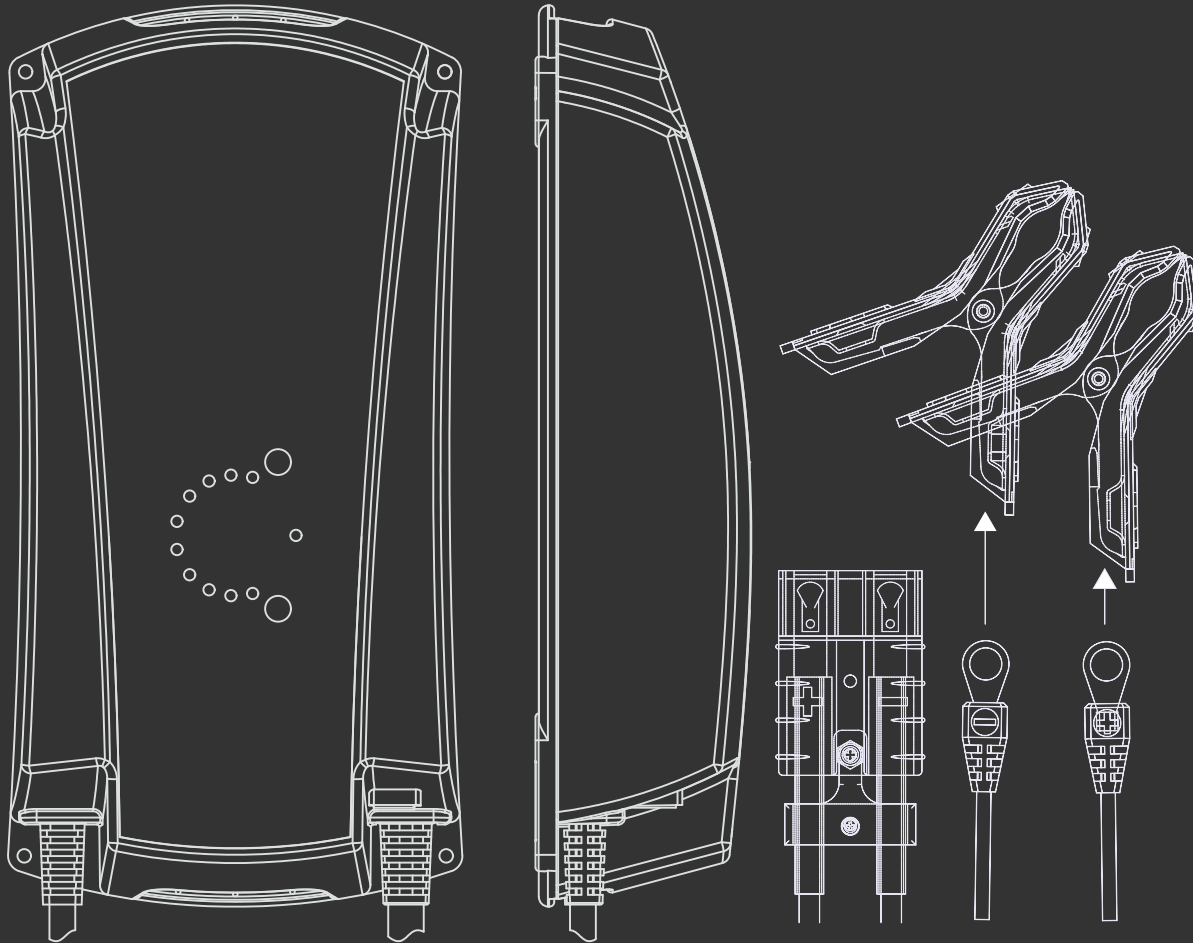
LITHIUM CHARGING

3 YEAR WARRANTY



OC-PRO2500L

BATTERY CHARGER & MAINTAINER



WHAT'S INCLUDED:

- 1 x PRO2500L battery charger & maintainer
- 1 x Set of integrated ring terminal and crocodile clips and temperature sensor
- 1 x User guide and warranty information

SAFETY FEATURES

- Reverse Polarity Protection
- In-Built Temperature Sensor
- Over-Temperature Protection
- Over-Charge Protection
- Safety Timers

SPECIFICATIONS	OC-PRO2500L
Input	240VAC 50Hz
Power Consumption (max)	3A (380W)
Output	12V DC / 25A / 12A / 2A
Charge Voltage	14.1V / 14.4V / 14.7V DC
Float Trickle Voltage	13.6V DC
Start Voltage	2V DC
Ideal for Charging	6Ah - 500Ah
Ideal for Maintaining	6Ah -750Ah
Dimensions	279 x 141 x 67 (mm)
Eco Mode	Yes
Approvals	AS/NZS 60335.2.29 AZ/NZS CISPR 14.1