

# OC-PRO600L

BATTERY CHARGER & MAINTAINER

12V 6A / 4A / 1A

SELECTABLE CHARGE RATE

9 STAGE SMART CHARGING

AUTOMATIC REJUVENATION MODE

LITHIUM CHARGING

5 YEAR WARRANTY

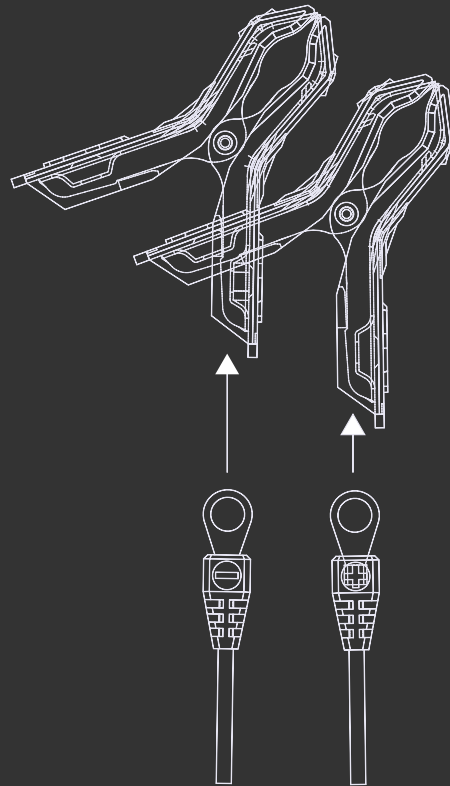
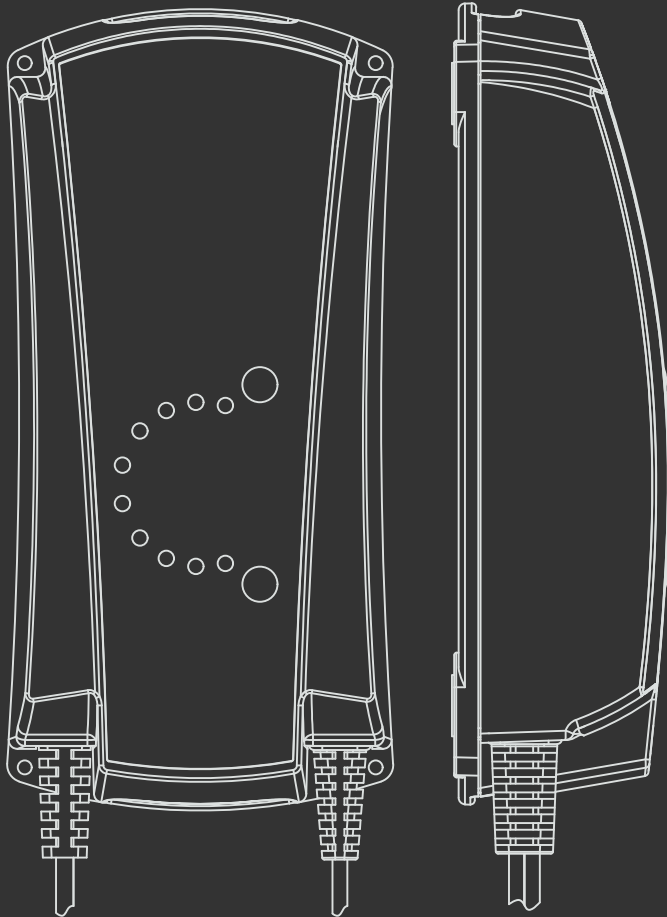


**SELECTABLE**  
RAPID CHARGE  
SILENT CHARGE  
TRICKLE CHARGE



# OC-PRO600L

## BATTERY CHARGER & MAINTAINER



### WHAT'S INCLUDED:

- 1 x PRO600L battery charger & maintainer
- 1 x Set of integrated ring terminal and crocodile clips
- 1 x User guide and warranty information

### SAFETY FEATURES

- Reverse Polarity Protection
- In-Built Temperature Sensor
- Over-Temperature Protection
- Over-Charge Protection
- Safety Timers

SPECIFICATIONS	OC-PRO600L
Input	100-240VAC 50/60Hz
Power Consumption (max)	0.75A (95W)
Output	12V DC / 6A / 4A / 1A
Charge Voltage	14.1V / 14.4V / 14.7V
Float Trickle Voltage	13.6V DC
Start Voltage	2V DC
Ideal for Charging	3Ah - 120Ah
Ideal for Maintaining	3Ah - 180Ah
Dimensions	182 x 88 x 48 (mm)
Eco Mode	Yes
Approvals	AS/NZS 60335.2.29 AZ/NZS CISPR 14.1