

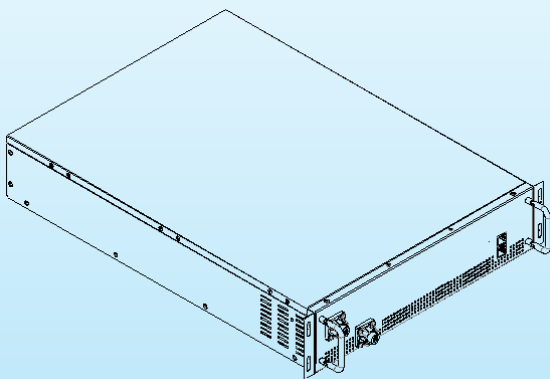
Overview

Vision Technology provides safe LiFePO4 battery solutions for UPS and Energy storage system. This battery system serves for UPS and Energy storage system with perfect compatibility and safe long cycle life.

Features

- Can/RS485 Communication output for monitoring
- Achieve up 32 BMU in cascade communication
- Internal cell balancing ,Passive equalization , the maximum equalization current up to 200mA
- High-precision cell voltage and temperature acquisition: $\pm 3\text{mv}$, $\pm 1^\circ\text{C}$;
- Fan control circuit and interface, realize heat dissipation inside the module

Module Preview



Module 51.2V100 Ah

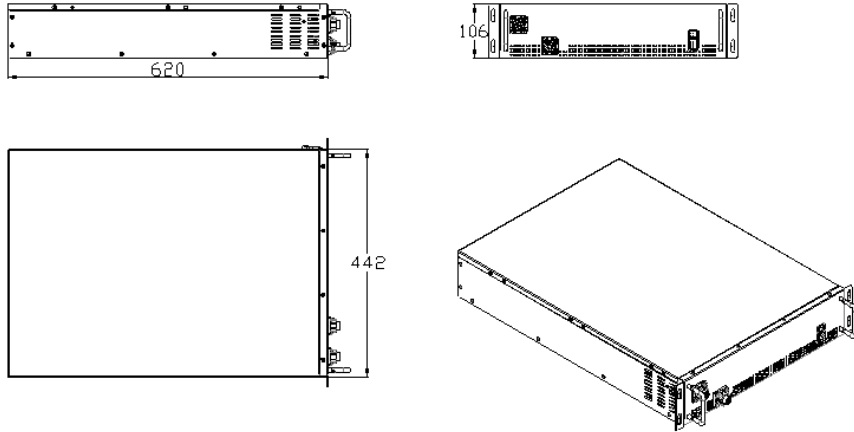
Performance Data

Time(h)	1	2	4	5	10
Constant Power(kw)	19.72	10.24	5.12	4.096	2.048
Constant Current(A)	100	50	25	20	10

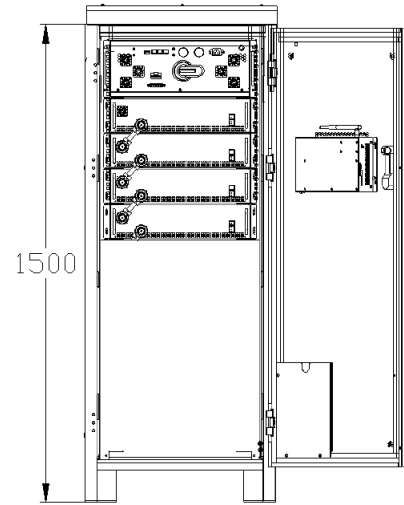
Rack Specification

Voltage Range(V)	179.2~220.8	
Cell	3.2V100Ah	
Series & Parallels	64S1P	
Rated Voltage(V)	204.8	
Rated Capacity(Ah)	100	
Rated Energy(KWh)	20.48	
Maximum Charge Current(A)	50	
Discharge cut-off voltage(V)	179.2	
Charge voltage(V)	217.6 ~ 222.8	
Cycle life(@25°C,0.5C/0.5C,100%DOD)	> 3000	
Short-circuit current (< 10ms)	Approx.3000A	
System Dimension(W* D* H)	(600*1000*1500) mm	
Total Weight(Kg)	Approx.420	
Internal Resistance Fully Charged@ 25	80mOhms	
Thermal Management	natural cooling	
Operating temperature	charge	0 ~ 50
	discharge	-20 ~ 65
Operating humidity	60 ± 25%R.H.	
Communication	CAN/RS485	
Dry Contact	Y	
System parallels	15 (GBMS)	
	> 15 (GBMS+IPC)	
Screen	optional	

Module size



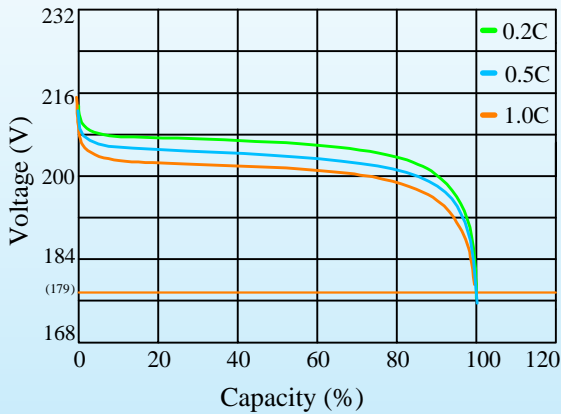
System



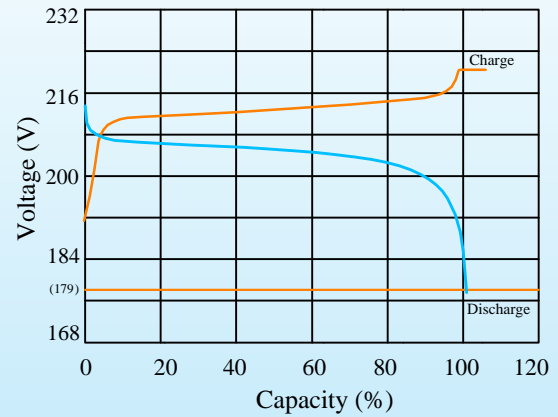
Cabinet TPL20

Characteristics Curve

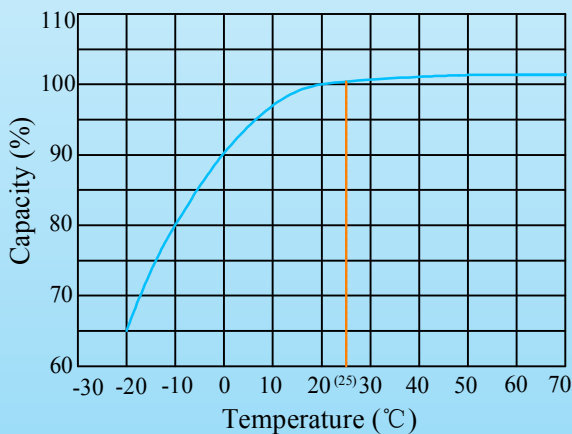
Discharge Performance at 25 °C



Charge and Discharge at 25 °C, 0.5C



Temperature effects on capacity at 0.5C



Cycle life with DOD at 25 °C
0.5C discharge and 0.5C charge

