

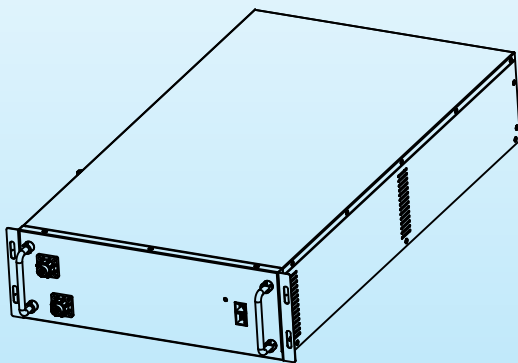
Overview

Vision Technology provides safe LiFePO4 battery solutions for UPS and Energy storage system. This battery system serves for UPS and Energy storage system with perfect compatibility and safe long cycle life.

Features

- Can/RS485 Communication output for monitoring
- Achieve up 32 BMU in cascade communication
- Internal cell balancing ,Passive equalization , the maximum equalization current up to 300mA
- High-precision cell voltage and temperature acquisition: $\pm 3\text{mv}$, $\pm 1^\circ\text{C}$;
- Fan control circuit and interface, realize heat dissipation inside the module

Module Preview



Module 51.2V200Ah

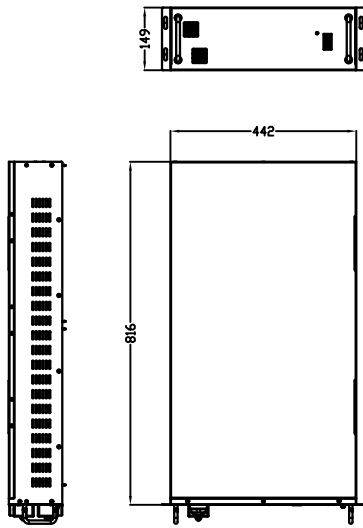
Performance Data

Time(h)	1	2	4	5	10
Constant Power(kw)	78.86	40.91	20.47	16.38	8.192
Constant Current(A)	200	100	50	40	20

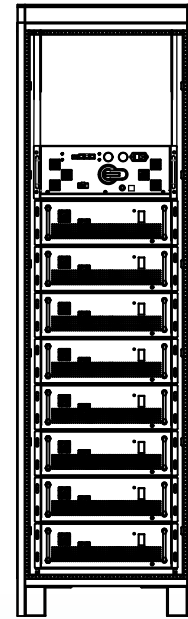
Rack Specification

Voltage Range(V)	358.4~441.6	
Cell	3.2V200Ah	
Series & Parallels	128S1P	
Rated Voltage(V)	409.6	
Rated Capacity(Ah)	200	
Rated Energy(KWh)	81.92	
Maximum Charge Current(A)	100	
Discharge cut-off voltage(V)	358.4	
Charge voltage(V)	435.2 ~ 441.6	
Cycle life(@25°C,0.5C/0.5C,100%DOD)	> 3000	
Short-circuit current (< 10ms)	Approx.7000A	
System Dimension(W* D* H)	(600*1000*2000) mm	
Total Weight(Kg)	Approx.840	
Internal Resistance Fully Charged@ 25	60mOhms	
Thermal Management	natural cooling	
Operating temperature	charge	0 ~ 50
	discharge	-20 ~ 65
Operating humidity	60 ± 25%R.H.	
Communication	CAN/RS485	
Dry Contact	Y	
System parallels	15 (GBMS)	
	> 15 (GBMS+ IPC)	
Screen	optional	

Module size



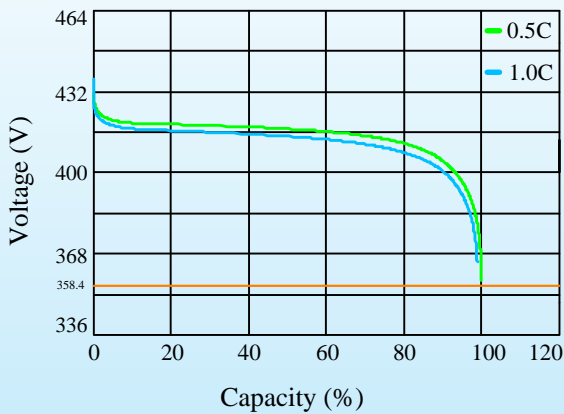
Rack



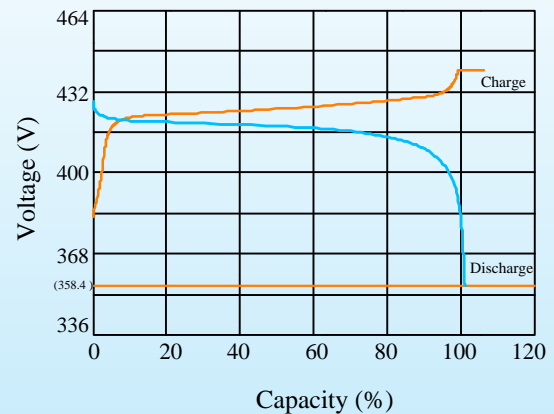
Cabinet TPL80

Characteristics Curve

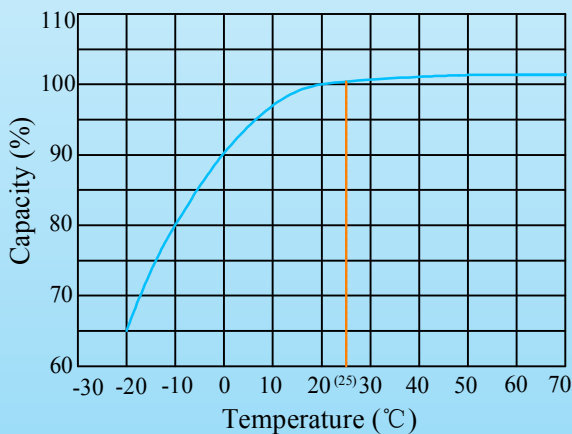
Discharge Performance at 25 °C



Charge and Discharge at 25 °C, 0.5C



Temperature effects on capacity at 0.5C



Cycle life with DOD at 25 °C
0.5C discharge and 0.5C charge

