

Overview

Vision Technology provides safe LiFePO4 battery solutions for UPS , Energy storage system and Recreational Vehicle. This battery system serves for solutions for UPS , Energy storage system and Recreational Vehicle with perfect compatibility and safe long cycle.

Features

- Customized protection board functions and parameters;
- Intelligent balance management;
- Built-in automatic protection for over-charge, over-discharge and over-temperature;
- Supports series and parallels;

Module Preview



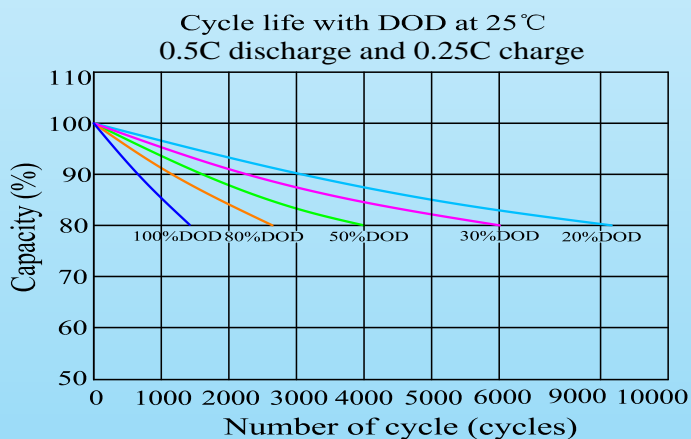
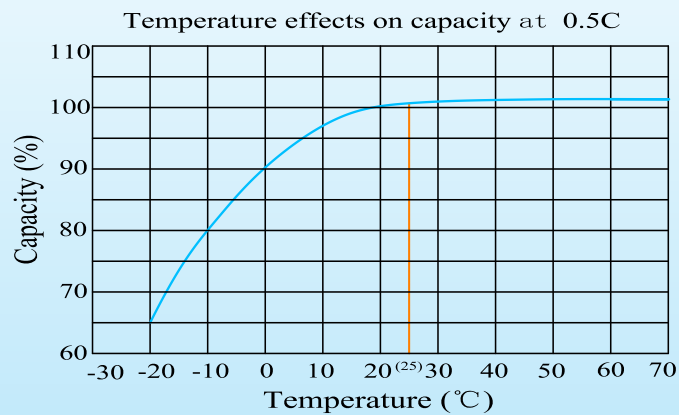
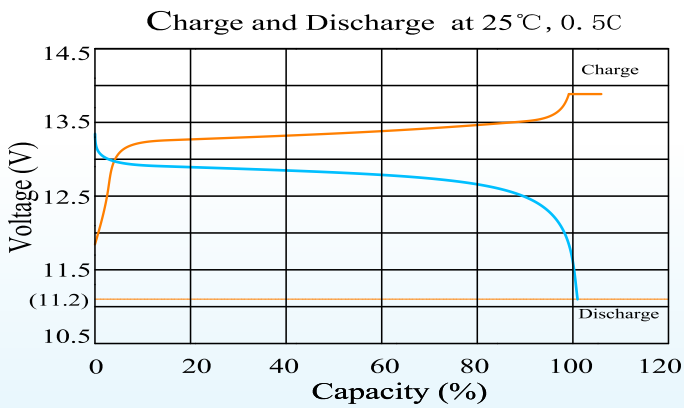
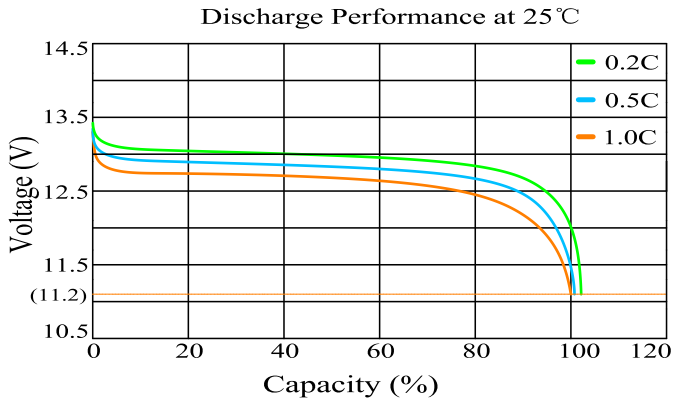
Performance Data

Time(min)	60	90	120	180	240	720
Constant Power(kw)	1.28	0.85	0.64	0.42	0.32	0.11
Constant Current(A)	100	66.6	50	33.3	25	8.30

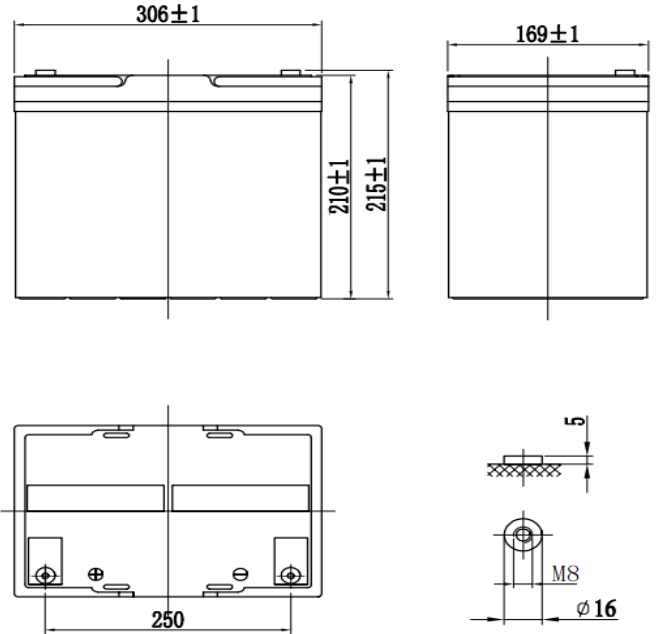
Specification

Voltage Range(V)	9.2 ~14.6	
Cell	3.2V100Ah	
Cell Series & Parallels	4S1P	
Rated Voltage(V)	12.8	
Rated Capacity(Ah)	100	
Rated Energy(KWh)	1.28	
Maximum Charge Current(A)	50	
Maximum Discharge Current(A)	100	
Pulse Current(A) (5s)	200	
Discharge Cut-off Voltage(V)	11.2	
Recommended Bulk Charge Voltage(V)	13.6 ~ 13.8	
Life Cycle (@25°C,0.5C/0.25C,80%DOD)	Approx 2500	
Short-circuit Current (< 10ms)	Approx.1200A	
Dimension(W* D* H)	(306*169*215) mm	
Total Weight(Kg)	Approx.10.3	
Internal Resistance Fully Charged@ 25	10mOhms	
Thermal Management	Nature cooling	
Operating Temperature	Charge	0 ~ 50
	Discharge	-20 ~ 65
Operating Humidity	60 ± 25%R.H.	
System Series	6	
System Parallels	6	

Characteristics Curve



Size



MECHANICAL SPECIFICATIONS	
Case Material	ABS-FR
Cell Type-Chemistry	Prismatic LiFePO4
Terminal Type	M8
IP Grade	IP65

BMS CHARACTERISTICS	
Recommended Charge Current	25A
Maximum Charge Current	50A
Maximum Continuous Discharge Current	100A
Recommended Bulk Charge Voltage	13.6V-13.8V
Max Charge Voltage	14.4V-14.6V
Overcharge Protection Voltage	14.8V-15.2V
Charge Mode	CC/CV
Discharge Cut-off Voltage	11.2V