

**BOSCH**

Invented for life

# Bosch SM Mega Power Plus

## 57012 - Maintenance Free / Calcium, Calcium Technology

### Applications

Passenger Vehicles

### Bosch Master Data

Short Order Part Number	Bosch 10 Digit Part Number	EAN Barcode
57012	0092S37479	4047026450361
Product Series	Technology	Warranty Period
SM Mega Power Plus	Calcium, Calcium	Refer <a href="http://www.boschaftermarket.com.au">www.boschaftermarket.com.au</a>
		Refer <a href="http://www.boschaftermarket.co.nz">www.boschaftermarket.co.nz</a>

### Technical Information

Nominal Voltage	Nominal Capacity (20HR)	Reserve Capacity
12V	70 AH	110 Mins

Cold Cranking Amperes (CCA)

770 Amps

#### Case Size Dimension

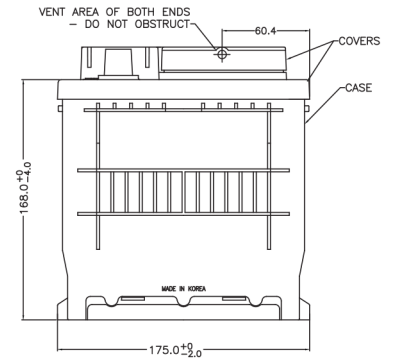
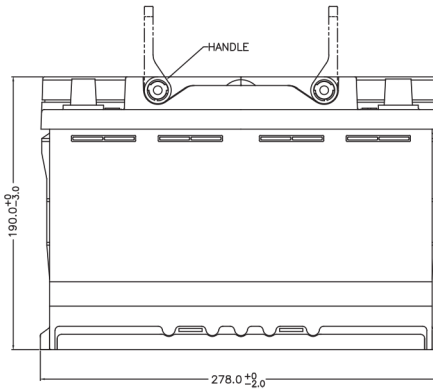
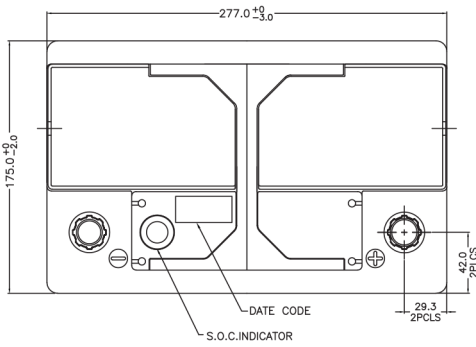
Length	Width	Container Height
278 mm (10.94 inches)	175 mm (6.89 inches)	168 mm (6.61 inches)

Total Height (with Terminal)

190 mm (7.48 inches)

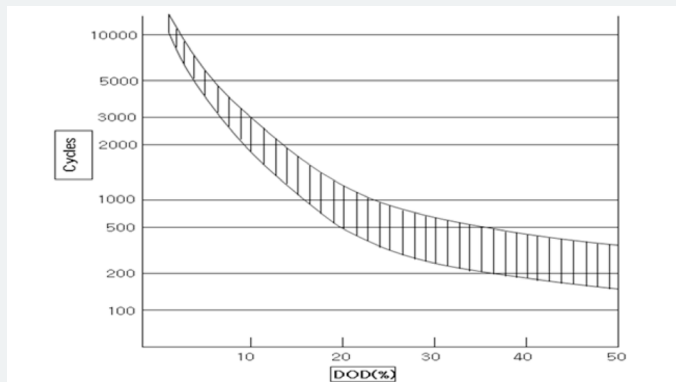
Approx Weight (Gross)	Terminal	Container Material
19.48 kg (42.85 lbs)	(+)	Polypropylene
Lid Design	Base Hold Down	
Labrynth Lid	B3	

# Product Dimension & Design

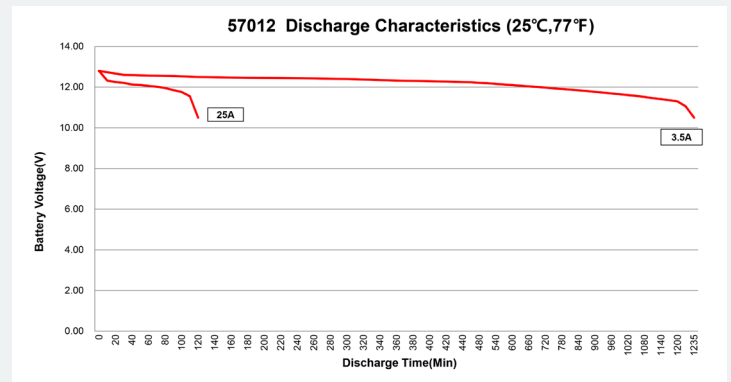


# Product Performance Overview

## Depth of Discharge Cycling Test



## Discharge Characteristics Test



Your address for genuine Bosch quality:

**Dealer stamp here:**