

**BOSCH**

Invented for life

# Bosch Mega Power Plus

## 60038 - Maintenance Free / Calcium, Calcium Technology

### Applications

Passenger Vehicles

### Bosch Master Data

Short Order Part Number

**60038**

Product Series

**Mega Power Plus**

Bosch 13 Digit Part Number

**0092S47043HHO**

Technology

**Calcium, Calcium**

EAN Barcode

**4047025571333**

Warranty Period

Refer [www.boschaftermarket.com.au](http://www.boschaftermarket.com.au)

Refer [www.boschaftermarket.co.nz](http://www.boschaftermarket.co.nz)

### Technical Information

Nominal Voltage

**12V**

Nominal Capacity (20HR)

**100 AH**

Reserve Capacity (RC)

**170 Mins**

Cold Cranking Amperes (CCA)

**800 Amps**

#### Case Size Dimension

Length

**353 mm (13.9 inches)**

Width

**175 mm (6.89 inches)**

Container Height

**166 mm (6.53 inches)**

Total Height (with Terminal)

**190 mm (7.48 inches)**

Approx Weight (Gross)

**23.00 kg (50.70 lbs)**

Terminal / Layout

**(-+)**

Container Material

**Polypropylene**

Lid Design

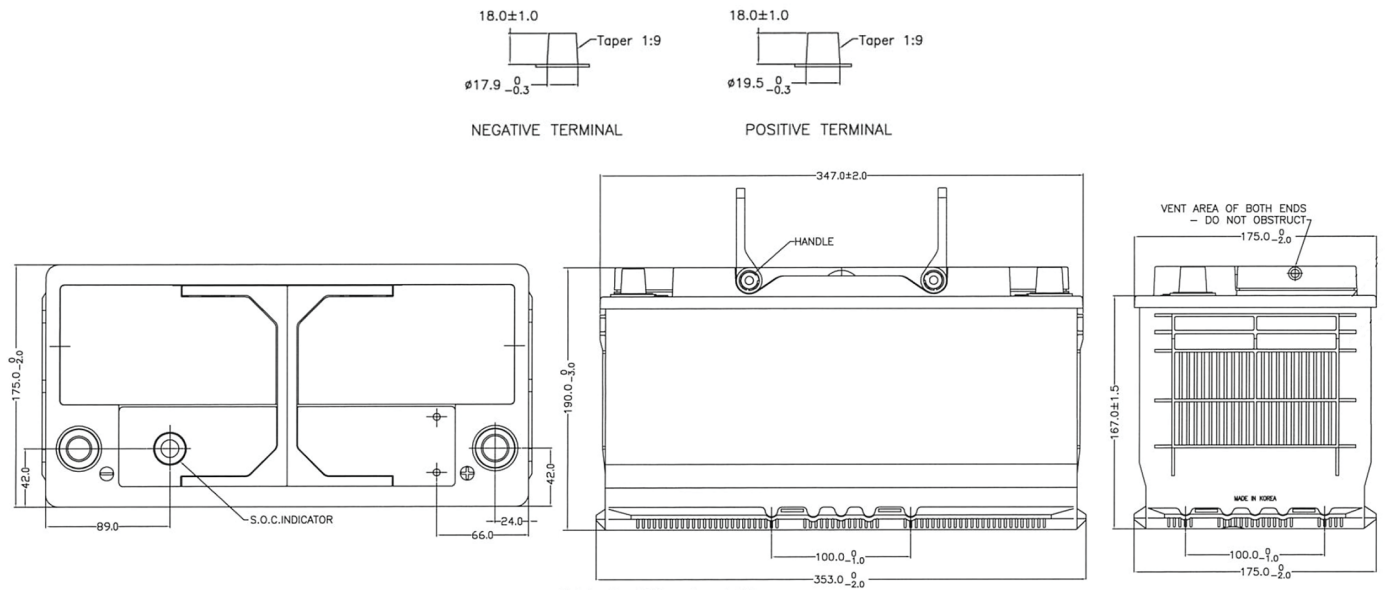
**Labrynth Lid**

Base Hold Down

**B3**

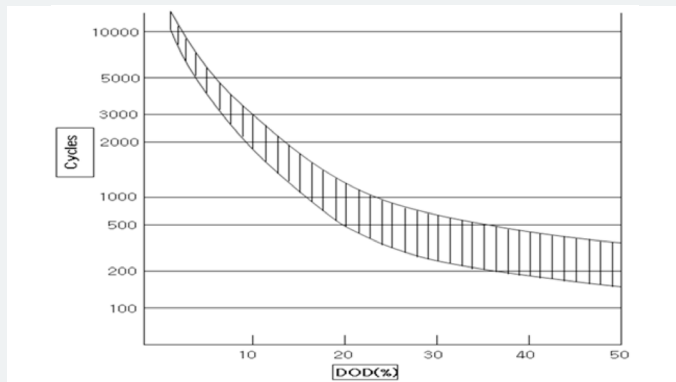
# Product Dimension & Design

## Terminal

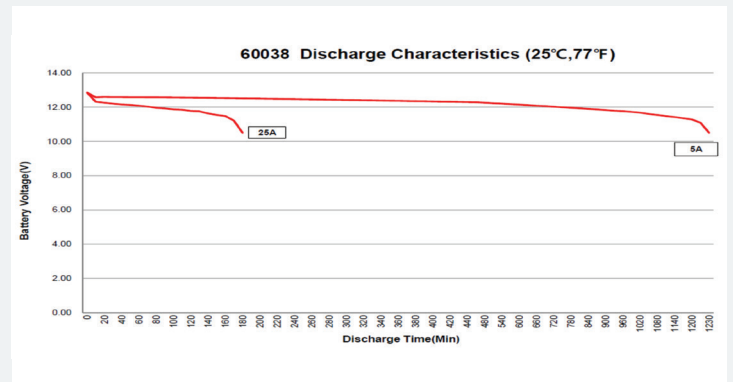


# Product Performance Overview

## Depth of Discharge Cycling Test



## Discharge Characteristics Test



Your address for genuine Bosch quality:

**Dealer stamp here:**