



**BOSCH**

Invented for life

# Bosch SMT Mega Power Plus

160F51 (N120) - Maintenance Free / Calcium, Calcium Technology

## Applications

Passenger Vehicle  
Light Commercial Vehicle



Image is generic & may vary to actual product

## Bosch Master Data

Short Order Part Number

**160F51 (N120)**

Product Series

**SMT Mega Power Plus**

Bosch 10 Digit Part Number

**0092S37336**

Technology

**Calcium, Calcium**

EAN Barcode

**4047026322347**

Warranty Period

Refer [www.boschaftermarket.com.au](http://www.boschaftermarket.com.au)

Refer [www.boschaftermarket.co.nz](http://www.boschaftermarket.co.nz)

## Technical Information

Nominal Voltage

**12V**

Nominal Capacity (20HR)

**128AH**

Reserve Capacity

**240 Mins**

Cold Cranking Amperes (CCA)

**900 Amps**

### Case Size Dimension

Length

**505 mm (19.88 inches)**

Width

**183 mm (7.20 inches)**

Container Height

Total Height (with Terminal)

**240 mm (9.44 inches)**

Case Size

**F51**

Approx Weight (Gross)

**32.00 kg (70.40 lbs)**

Terminal

**(+-)**

Container Material

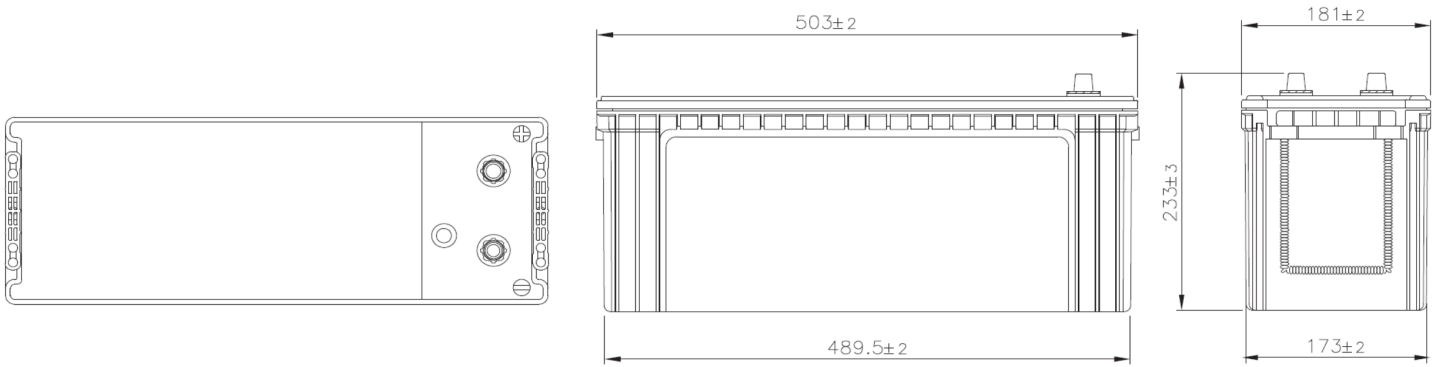
**Polypropylene**

Lid Design

**Labrynth Lid**

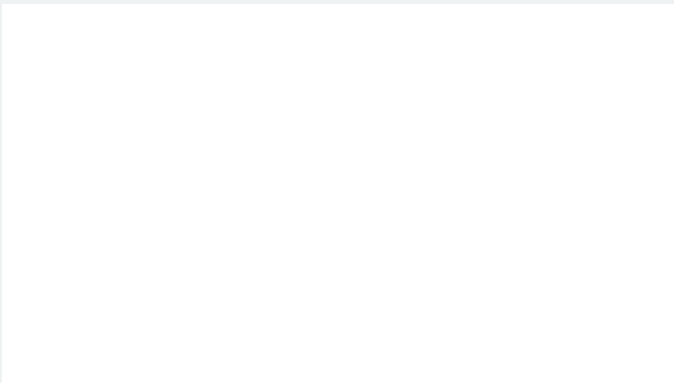
Base Hold Down

# Product Dimension & Design



# Product Performance Overview

## Depth of Discharge Cycling Test



## Discharge Characteristics Test



Your address for genuine Bosch quality:

**Dealer stamp here:**