



**BOSCH**

Invented for life

# Bosch SM Mega Power Plus

22F-550 - Maintenance Free / Calcium, Calcium Technology

## Applications

Passenger Vehicle  
Light Commercial Vehicle



Image is generic & may vary to actual product

## Bosch Master Data

Short Order Part Number

22F-550

Product Series

SM Mega Power Plus

Bosch 10 Digit Part Number

0092S37000

Technology

Calcium, Calcium

EAN Barcode

4047026240269

Warranty Period

Refer [www.boschaftermarket.com.au](http://www.boschaftermarket.com.au)

Refer [www.boschaftermarket.co.nz](http://www.boschaftermarket.co.nz)

## Technical Information

Nominal Voltage

12V

Nominal Capacity (20HR)

56AH

Reserve Capacity

86 Mins

Cold Cranking Amperes (CCA)

550 Amps

### Case Size Dimension

Length

240 mm (9.44 inches)

Width

174 mm (6.85 inches)

Container Height

183 mm (7.20 inches)

Total Height (with Terminal)

205 mm (8.00 inches)

Case Size

22F

Approx Weight (Gross)

14.30 kg (31.46 lbs)

Terminal

(-+)

Container Material

Polypropylene

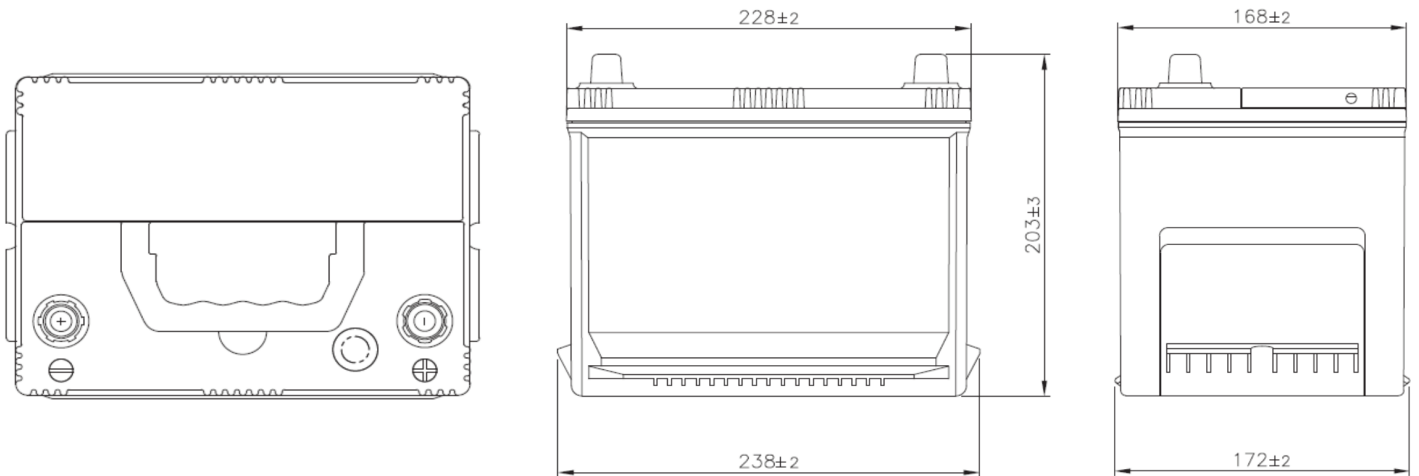
Lid Design

Labrynth Lid

Base Hold Down

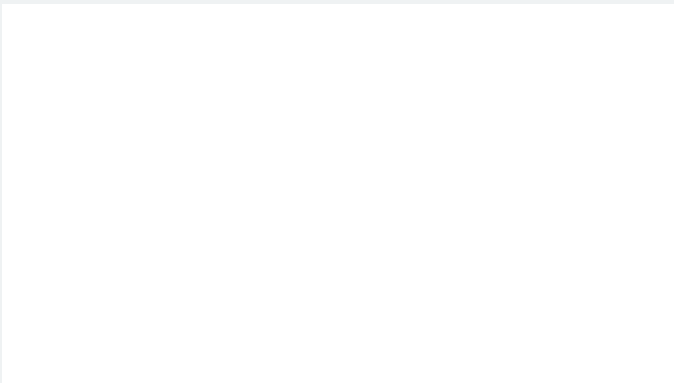
B3

# Product Dimension & Design

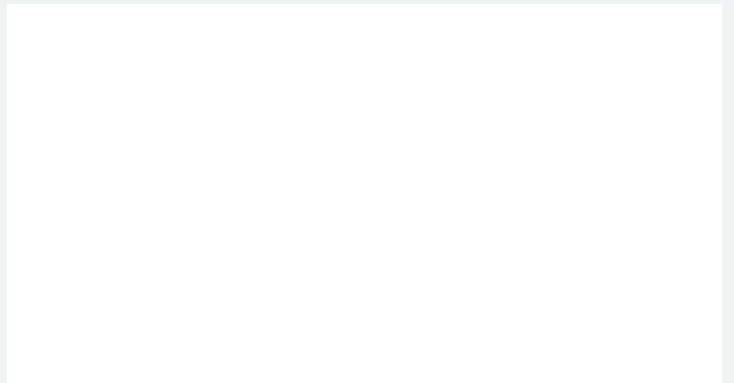


# Product Performance Overview

## Depth of Discharge Cycling Test



## Discharge Characteristics Test



Your address for genuine Bosch quality:

**Dealer stamp here:**