



BOSCH

Invented for life

Bosch SM Mega Power Plus

56318 - Maintenance Free / Calcium, Calcium Technology

Applications

Passenger Vehicle



Image is generic & may vary to actual product

Bosch Master Data

Short Order Part Number

56318

Bosch 10 Digit Part Number

0986A00225

EAN Barcode

4047026240160

Product Series

SM Mega Power Plus

Technology

Calcium, Calcium

Warranty Period

Refer www.boschaftermarket.com.au

Refer www.boschaftermarket.co.nz

Technical Information

Nominal Voltage

12V

Nominal Capacity (20HR)

63AH

Reserve Capacity

110 Mins

Cold Cranking Amperes (CCA)

580 Amps

Case Size Dimension

Length

277 mm (10.90 inches)

Width

175 mm (6.89 inches)

Container Height

151 mm (5.94 inches)

Total Height (with Terminal)

175 mm (6.89 inches)

Case Size

T6/LB3

Approx Weight (Gross)

15.50 kg (34.10 lbs)

Terminal

(-+)

Container Material

Polypropylene

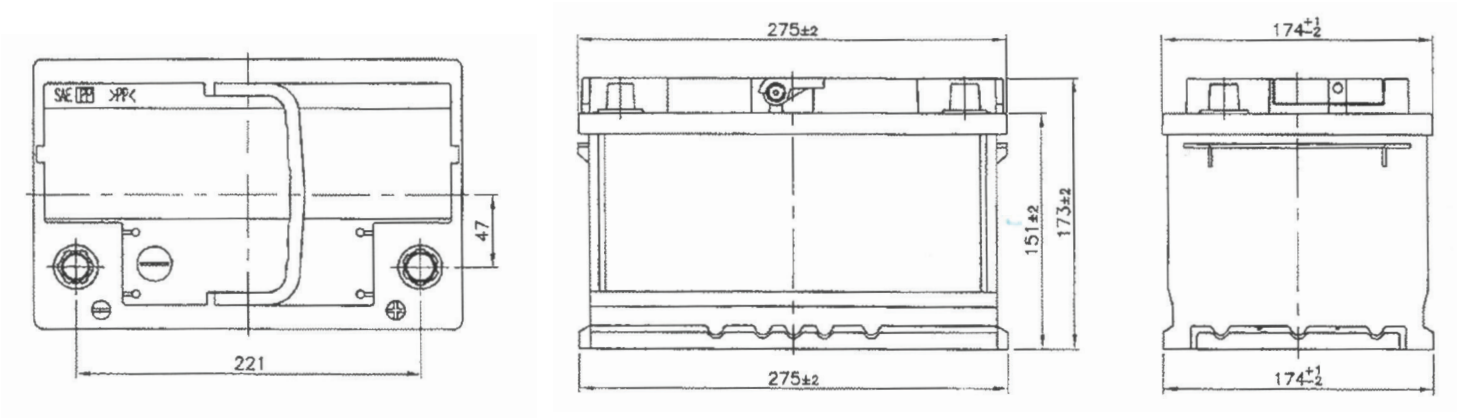
Lid Design

Labrynth Lid

Base Hold Down

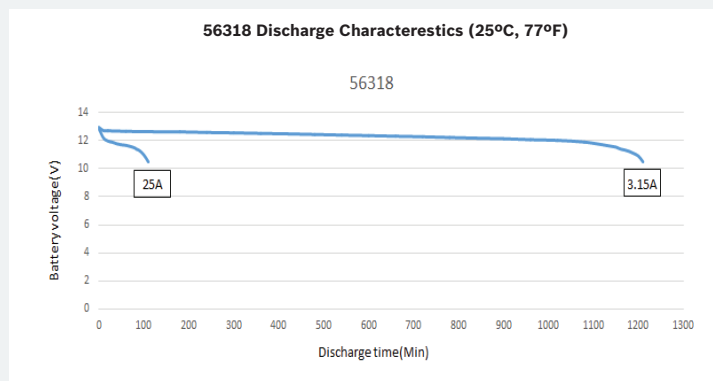
B3/B4

Product Dimension & Design



Product Performance Overview

Discharge Characteristics Test



Your address for genuine Bosch quality:

Dealer stamp here: