



BOSCH

Invented for life

Bosch SM Mega Power Plus

57220 - Maintenance Free / Calcium, Calcium Technology

Applications

Passenger Vehicle



Image is generic & may vary to actual product

Bosch Master Data

Short Order Part Number

57220

Product Series

SM Mega Power Plus

Bosch 10 Digit Part Number

0986A00234

Technology

Calcium, Calcium

EAN Barcode

4047023092465

Warranty Period

Refer www.boschaftermarket.com.au

Refer www.boschaftermarket.co.nz

Technical Information

Nominal Voltage

12V

Nominal Capacity (20HR)

72AH

Reserve Capacity

120 Mins

Cold Cranking Amperes (CCA)

610 Amps

Case Size Dimension

Length

278 mm (10.94 inches)

Width

175 mm (6.89 inches)

Container Height

165 mm (6.49 inches)

Total Height (with Terminal)

190 mm (7.48 inches)

Case Size

LN3

Approx Weight (Gross)

17.00 kg (37.40 lbs)

Terminal

(-+)

Container Material

Polypropylene

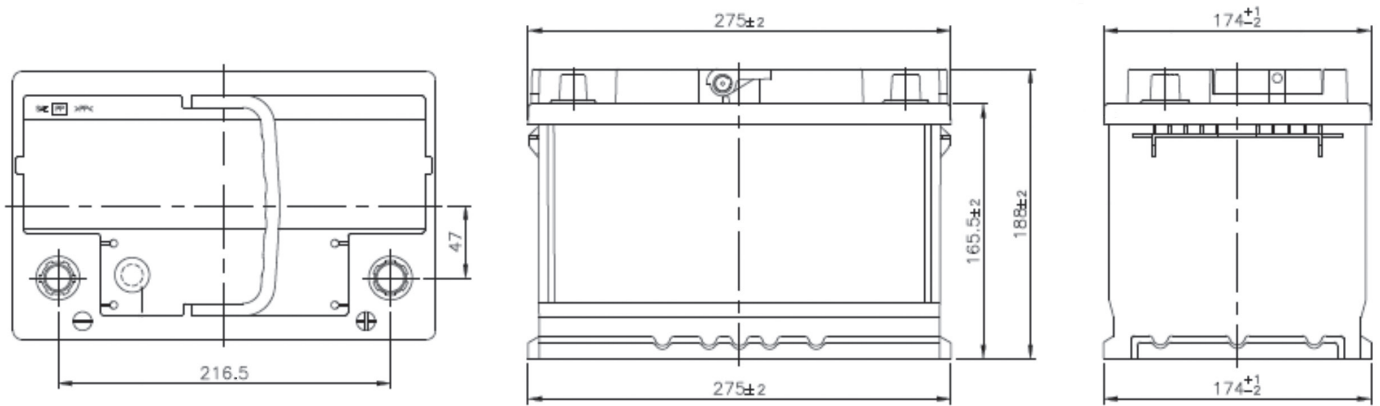
Lid Design

Labrynth Lid

Base Hold Down

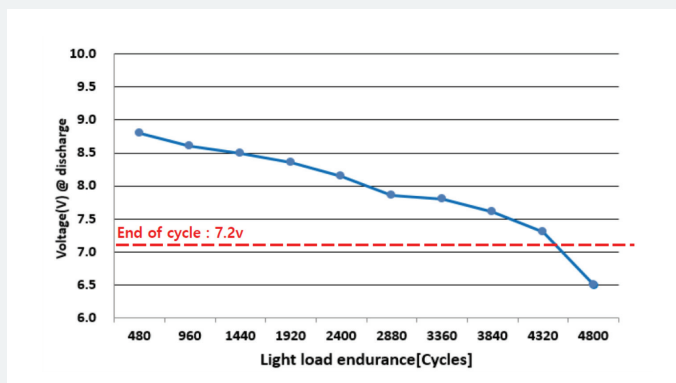
B3

Product Dimension & Design

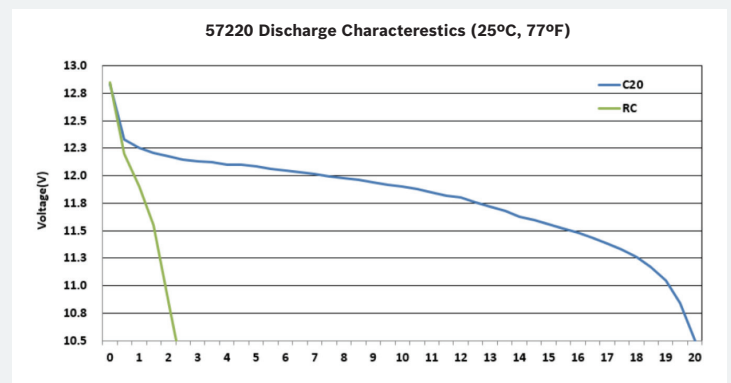


Product Performance Overview

Depth of Discharge Cycling Test



Discharge Characteristics Test



Your address for genuine Bosch quality:

Dealer stamp here: