



BOSCH

Invented for life

Bosch SM Mega Power Plus

58014 - Maintenance Free / Calcium, Calcium Technology

Applications

Passenger Vehicle



Image is generic & may vary to actual product

Bosch Master Data

Short Order Part Number

58014

Bosch 10 Digit Part Number

0986A00413

EAN Barcode

4047026240184

Product Series

SM Mega Power Plus

Technology

Calcium, Calcium

Warranty Period

Refer www.boschaftermarket.com.au

Refer www.boschaftermarket.co.nz

Technical Information

Nominal Voltage

12V

Nominal Capacity (20HR)

80AH

Reserve Capacity

135 Mins

Cold Cranking Amperes (CCA)

730 Amps

Case Size Dimension

Length

315 mm (12.40 inches)

Width

175 mm (6.89 inches)

Container Height

151 mm (5.95 inches)

Total Height (with Terminal)

175 mm (6.89 inches)

Case Size

T7/LB4

Approx Weight (Gross)

18.50 kg (40.70 lbs)

Terminal

(-+)

Container Material

Polypropylene

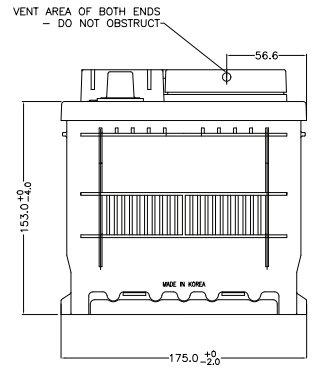
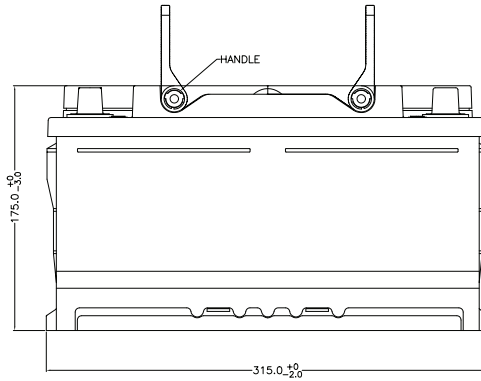
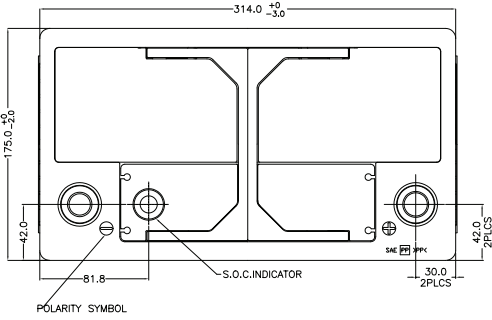
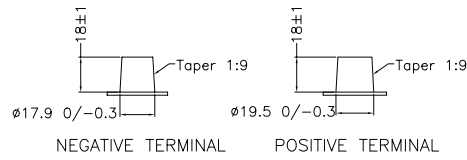
Lid Design

Labrynth Lid

Base Hold Down

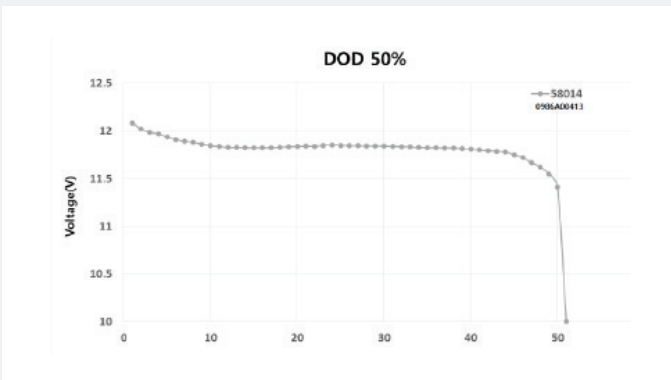
B3

Product Dimension & Design

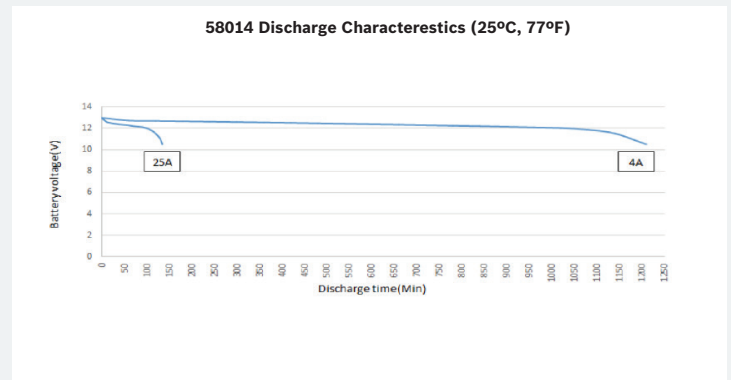


Product Performance Overview

Depth of Discharge Cycling Test



Discharge Characteristics Test



Your address for genuine Bosch quality:

Dealer stamp here: