



BOSCH

Invented for life

Bosch SM Mega Power Plus

58515 - Maintenance Free / Calcium, Calcium Technology

Applications

Passenger Vehicle
Light Commercial Vehicle

Bosch Master Data

Short Order Part Number

58515

Product Series

SM Mega Power Plus

Bosch 10 Digit Part Number

0092S37014

Technology

Calcium, Calcium

EAN Barcode

4047026240191

Warranty Period

Refer www.boschaftermarket.com.au

Refer www.boschaftermarket.co.nz

Technical Information

Nominal Voltage

12V

Nominal Capacity (20HR)

85AH

Reserve Capacity

145 Mins

Cold Cranking Amperes (CCA)

750 Amps

Case Size Dimension

Length

353 mm (13.89 inches)

Width

175 mm (6.89 inches)

Container Height

150 mm (5.90 inches)

Total Height (with Terminal)

175 mm (6.89 inches)

Case Size

LB5

Approx Weight (Gross)

20.20 kg (44.44 lbs)

Terminal

(-+)

Container Material

Polypropylene

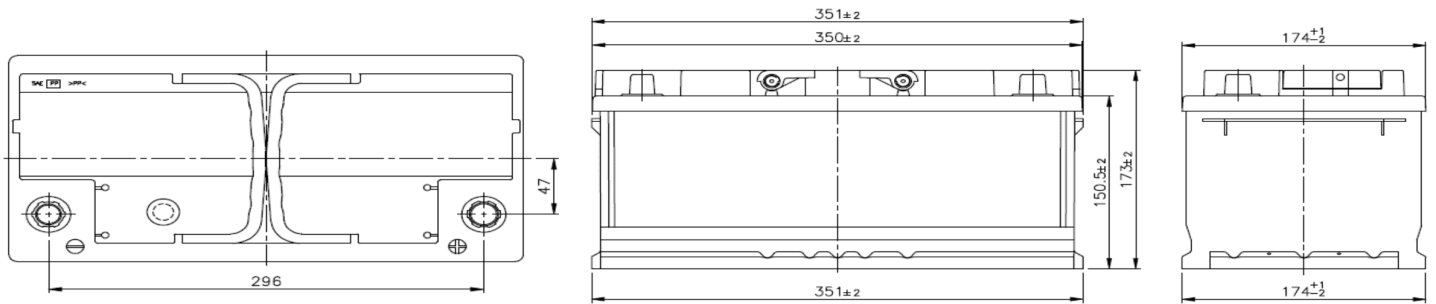
Lid Design

Labrynth Lid

Base Hold Down

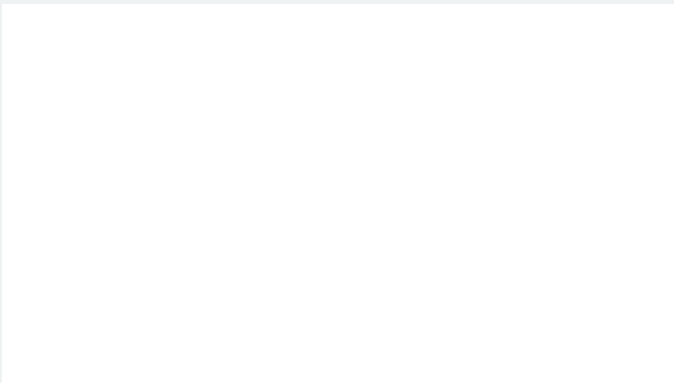
B3

Product Dimension & Design

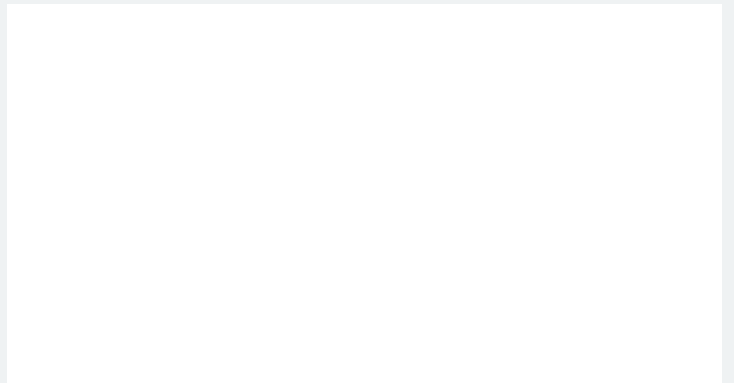


Product Performance Overview

Depth of Discharge Cycling Test



Discharge Characteristics Test



Your address for genuine Bosch quality:

Dealer stamp here: