

**BOSCH**

Invented for life

Bosch SM Mega Power Plus

61095 - Maintenance Free / Calcium, Calcium Technology

Applications

Passenger Vehicle
Light Commercial Vehicle

Bosch Master Data

Short Order Part Number

61095

Bosch 10 Digit Part Number

0092S47098

EAN Barcode

4047026700633

Product Series

SM Mega Power Plus

Technology

Calcium, Calcium

Warranty Period

Refer www.boschaftermarket.com.auRefer www.boschaftermarket.co.nz

Technical Information

Nominal Voltage

12V

Nominal Capacity (20HR)

110AH

Reserve Capacity

190 Mins

Cold Cranking Amperes (CCA)

950 Amps

Case Size Dimension

Length

394 mm (15.51 inches)

Width

175 mm (6.89 inches)

Container Height

168 mm (6.61 inches)

Total Height (with Terminal)

190 mm (7.48 inches)

Case Size

LN6

Approx Weight (Gross)

26.67 kg (58.67 lbs)

Terminal

(-+)

Container Material

Polypropylene

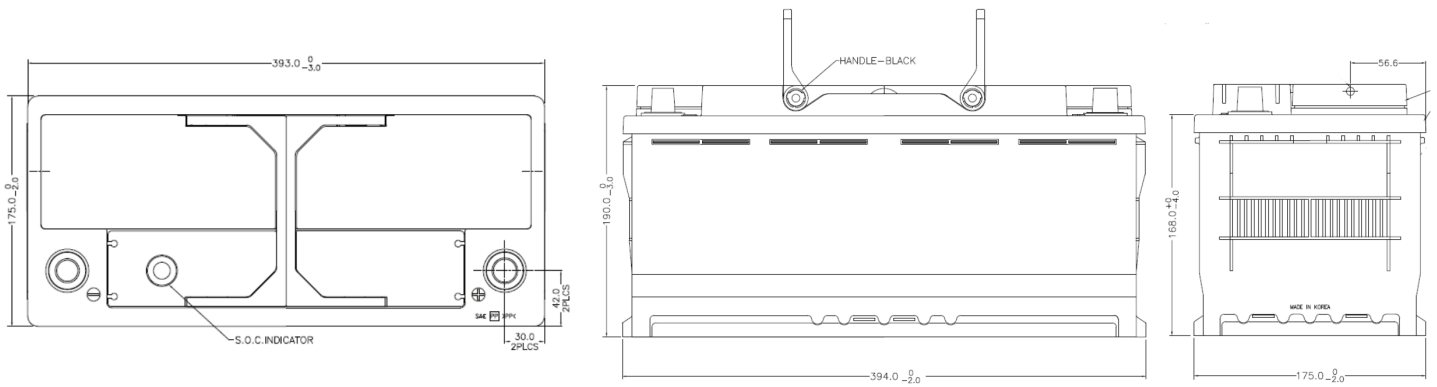
Lid Design

Labrynth Lid

Base Hold Down

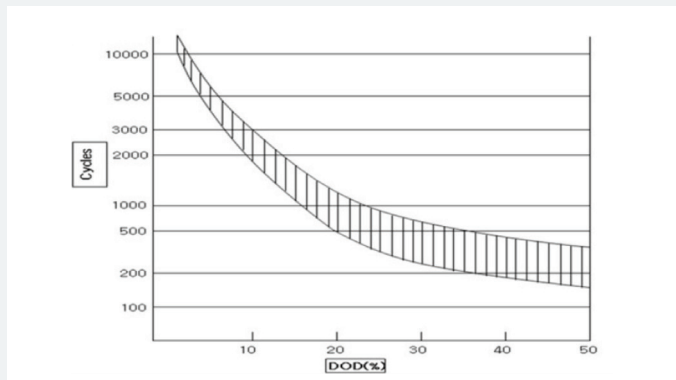
B3

Product Dimension & Design

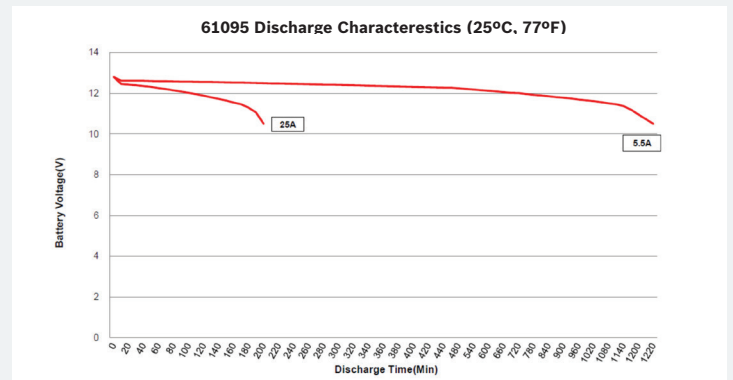


Product Performance Overview

Depth of Discharge Cycling Test



Discharge Characteristics Test



Your address for genuine Bosch quality:

Dealer stamp here: