

**BOSCH**

Invented for life

Bosch SMT Mega Power Plus (T4)

125D31R – 12V Calcium, Calcium Technology

Applications

Light & Heavy Commercial Applications including Industrial



Bosch Master Data

| | | |
|--------------------------|----------------------------|--|
| Short Order Part Number | Bosch 13 Digit Part Number | EAN Barcode |
| 125D31R | 0092S47095HH0 | 4047026515671 |
| Product Series | Technology | Warranty Period |
| SMT Mega Power Plus (T4) | Calcium, Calcium | Refer www.boschaftermarket.com.au |
| | | Refer www.boschaftermarket.co.nz |

Technical Information

| | | |
|-----------------|-------------------------|------------------|
| Nominal Voltage | Nominal Capacity (20HR) | Reserve Capacity |
| 12V | 100 AH | 180 Mins |

Cold Cranking Amperes (CCA)

790 Amps

Case Size Dimension

| | | |
|-----------------------|----------------------|----------------------|
| Length | Width | Container Height |
| 305 mm (12.00 inches) | 172 mm (6.77 inches) | 200 mm (7.87 inches) |

Total Height (with Terminal)

222 mm (8.74 inches)

| | | |
|-----------------------|----------|--------------------|
| Approx Weight (Gross) | Terminal | Container Material |
| 23.60 kg (51.92 lbs) | (+) | Polypropylene |

Lid Design

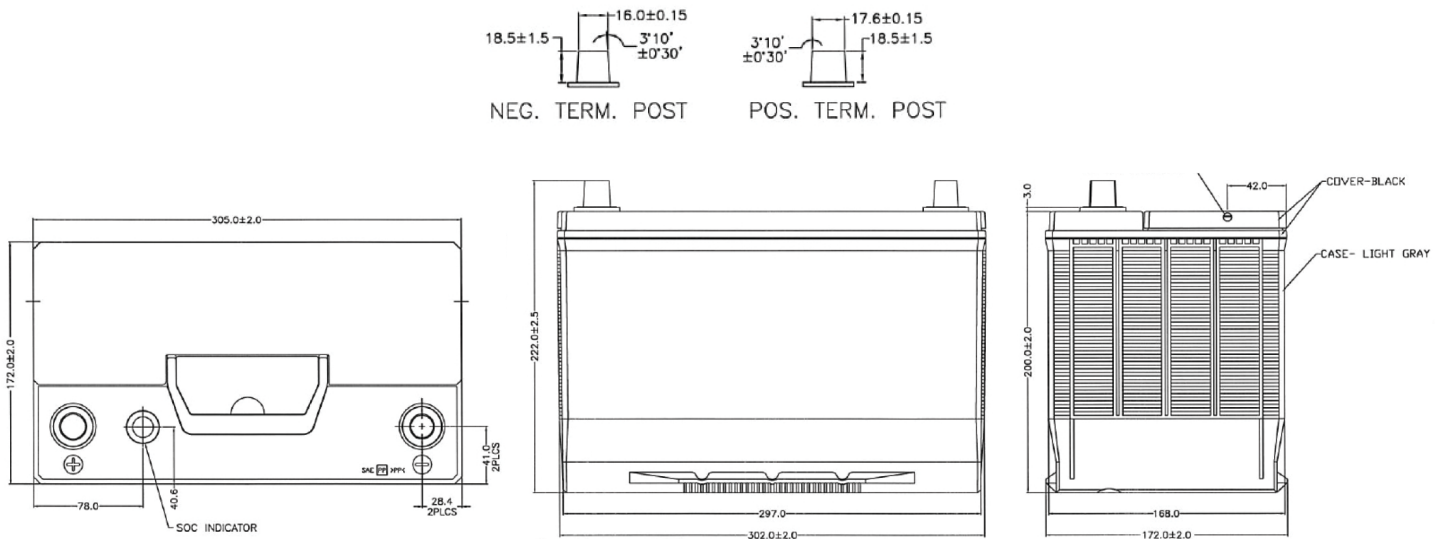
Labrynth Lid

Base Hold Down

B7

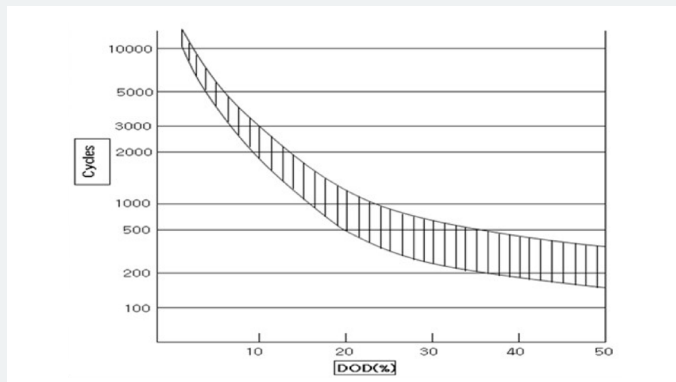
Product Dimension & Design

■ B (Standard)

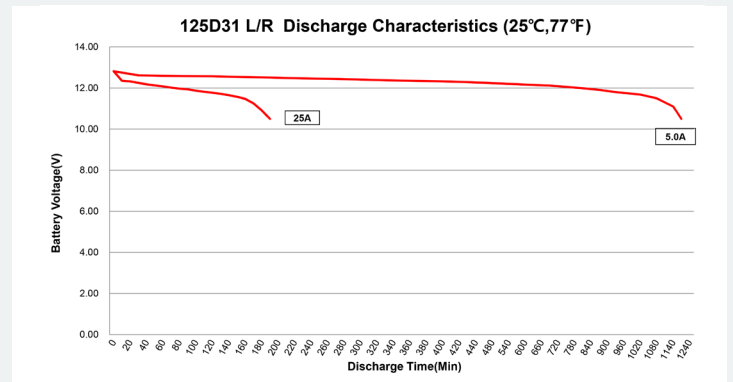


Product Performance Overview

Depth of Discharge Cycling Test



Discharge Characteristics Test



Your address for genuine Bosch quality:

Dealer stamp here: