

**BOSCH**

Invented for life

Bosch SMT Mega Power Plus

95D31R – 12V Calcium-Calcium Technology

Applications

Light & Heavy Commercial Applications including Industrial

Bosch Master Data

Short Order Part Number	Bosch 13 Digit Part Number	EAN Barcode
95D31R	0092S37148HH0	4047025571227
Product Series	Technology	Warranty Period
SMT Mega Power Plus (T4)	Calcium, Calcium	Refer www.boschaftermarket.com.au
		Refer www.boschaftermarket.co.nz

Technical Information

Nominal Voltage	Nominal Capacity (20HR)	Reserve Capacity
12V	90 AH	160 Mins

Cold Cranking Amperes (CCA)

710 Amps

Case Size Dimension

Length	Width	Container Height
302mm (11.89 inches)	172mm (6.77 inches)	202mm (7.95 inches)
Total Height (with Terminal)		
222mm (8.74 inches)		

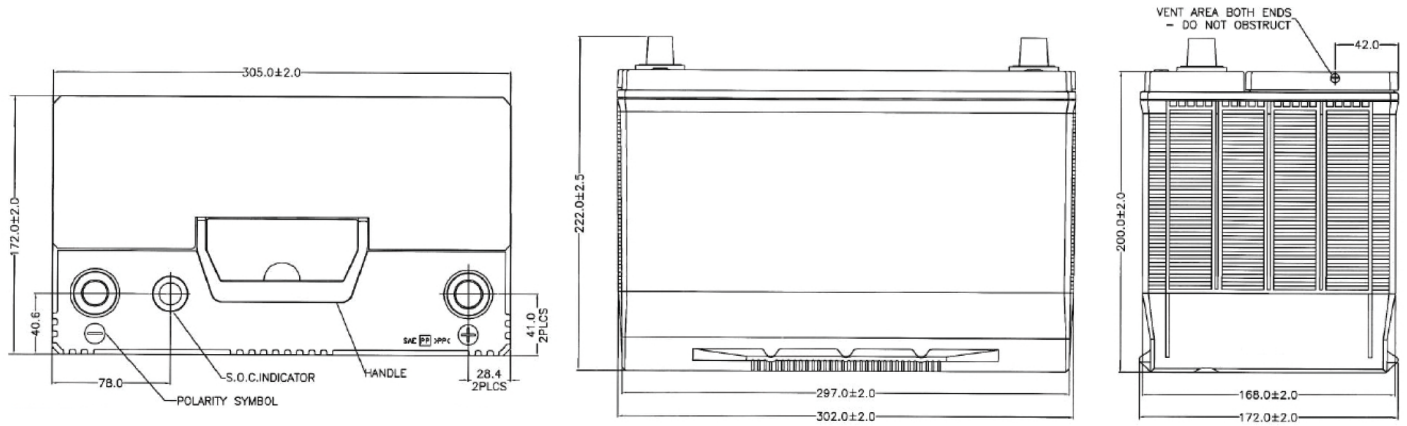
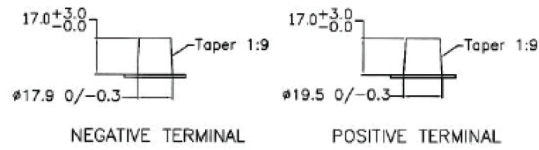
Approx Weight (Gross)	Terminal	Grid
10.45 kg (23 lbs)	B (Standard)	Expanded
Container Material	Lid Design	
Polypropylene	Labrynth Lid	
Rated Capacity		Internal Battery Resistance
Mins @ 25A = 160 (20hr, 1.75V/cell, 26.7°C/80°F) = 90 AH		4.0mΩ
Battery Lifecycle (J240-75°C)	Operating Temp. Range	Nominal Operating Temp. Range
1860	Discharge: -30~60°C (-22~140°F)	25°C/77°F

Self Discharge

Refer chart

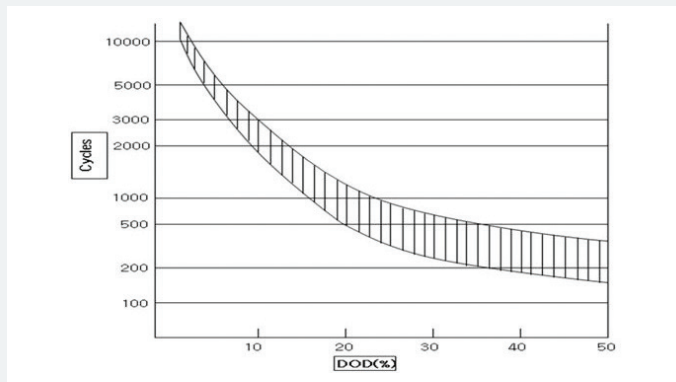
Product Dimension & Design

■ B (Standard)

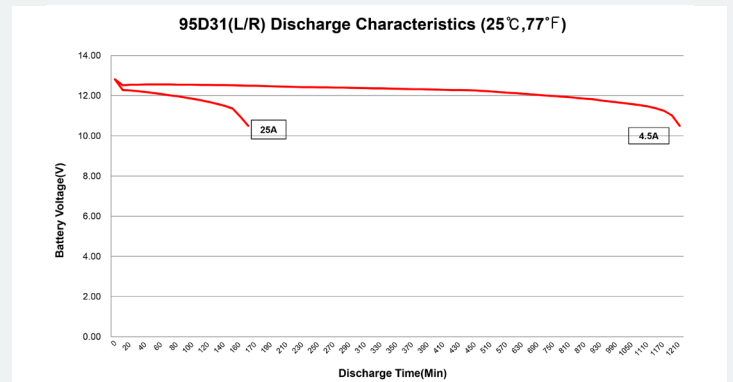


Product Performance Overview

Depth of Discharge Cycling Test



Discharge Characteristics Test



Your address for genuine Bosch quality:

Dealer stamp here: