

**BOSCH**

Invented for life

Bosch M4

DC27 - Deep Cycle Marine

Applications

Marine / Starting

Bosch Master Data

Short Order Part Number	Bosch 13 Digit Part Number	EAN Barcode
DC27	0092S47075HH0	4047025475662
Product Series	Technology	Warranty Period
M4	Calcium Technology	12 Months (Starting - Marine Application) 6 Months (Cycling - Marine Application)

Technical Information

Nominal Voltage	Nominal Capacity (20HR)	Reserve Capacity
12V	80 AH	145 Mins
Cold Cranking Amperes (CCA)		
570 CCA		

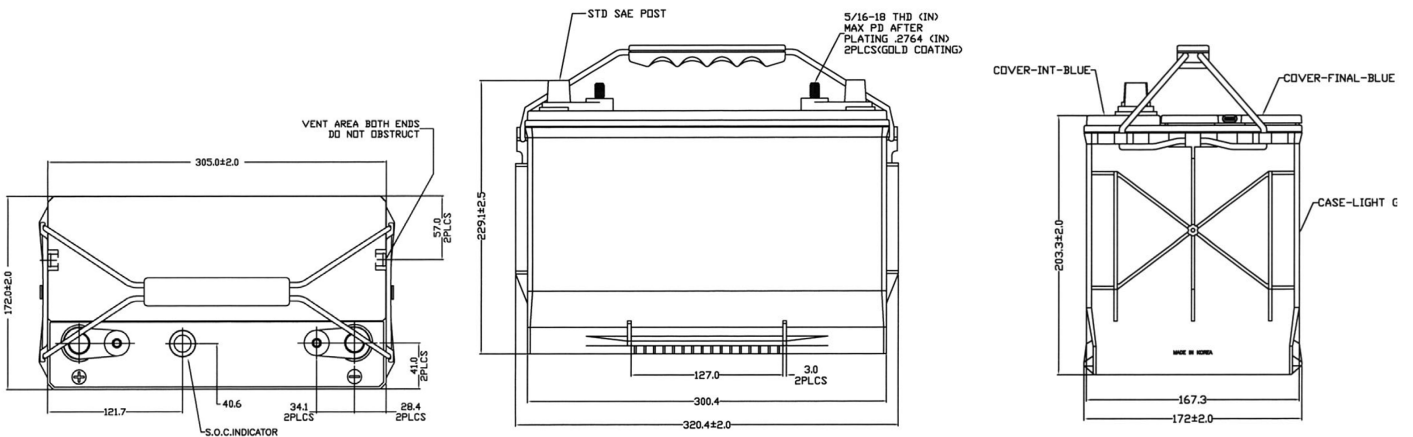
Case Size Dimension

Length	Width	Container Height
320mm (12.60 inches)	172mm (6.77 inches)	203mm (7.99 inches)
Total Height (with Terminal)		
229mm (9.0 inches)		

Approx Weight (Gross)	Terminal/Layout	Container Material
23.70 kg (52.14 lbs)	MARINE Dual SAE/Threaded	SAE PP (Colour - Black)
Lid Design	Base Hold Down	
Labrynth Lid	B7	

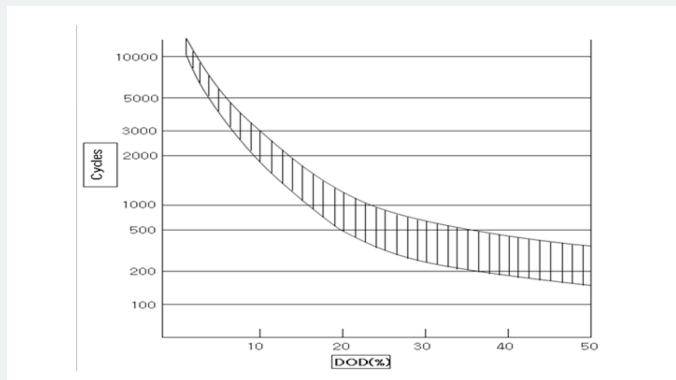
Product Dimension & Design

MARINE Dual SAE/Threaded

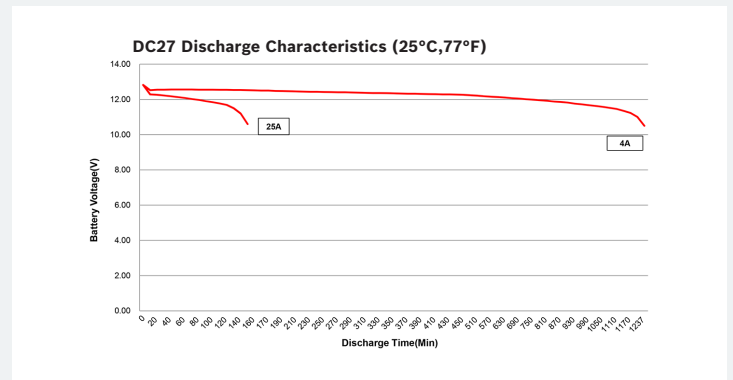


Product Performance Overview

Depth of Discharge Cycling Test



Discharge Characteristics Test



Your address for genuine Bosch quality:

Dealer stamp here: