

**BOSCH**

Invented for life

# Bosch ST Hightec

## LB4-EFB – Maintenance Free Technology

### Applications

Passenger Vehicles

### Bosch Master Data

Short Order Part Number

LB4-EFB

Product Series

ST Hightec EFB

Bosch 10 Digit Part Number

0092S67126

Technology

EFB (Enhanced Flooded Battery)

EAN Barcode

4047026478150

Warranty Period

Refer [www.boschaftermarket.com.au](http://www.boschaftermarket.com.au)

Refer [www.boschaftermarket.co.nz](http://www.boschaftermarket.co.nz)

### Technical Information

Nominal Voltage

12V

Nominal Capacity (20HR)

75 AH

Reserve Capacity

135 mins

Coldcranking Amps (CCA)

730 Amps

#### Case Size Dimension

Length

315 mm (12.40 inches)

Width

175 mm (6.89 inches)

Container Height

152 mm (5.98 inches)

Total Height (with Terminal)

175 mm (6.89 inches)

Approx Weight

19.1 kg (42.0 lbs)

Terminal

(-+)

Container Material

Polypropylene

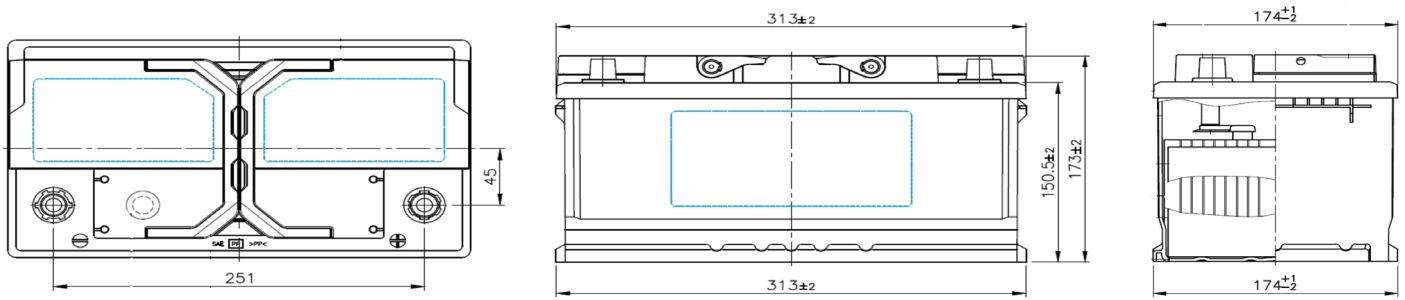
Lid Design

Base Hold Down

Labrynth Lid

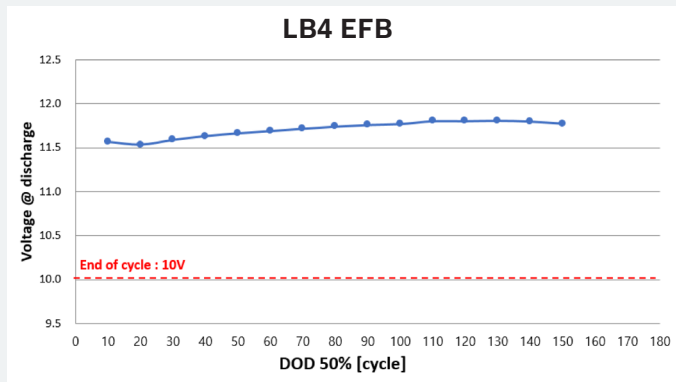
B1

# Product Dimension & Design

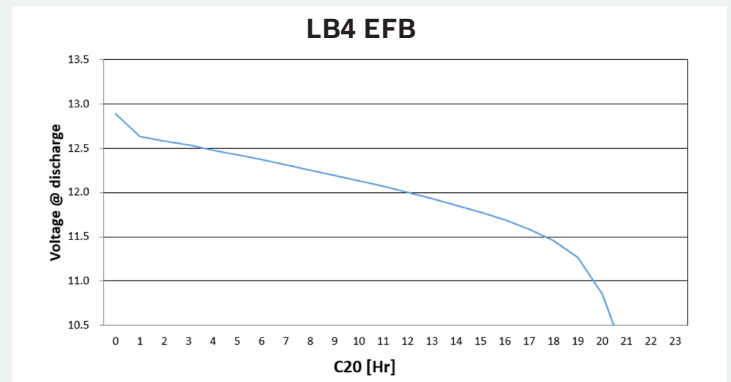


# Product Performance Overview

## Depth of Discharge Cycling Test



## Discharge Characteristics Test



Your address for genuine Bosch quality:

**Dealer stamp here:**