

**BOSCH**

Invented for life

Bosch ST Hightec

LN3-EFB – Maintenance Free Technology

Applications

Passenger Vehicles

Bosch Master Data

Short Order Part Number

LN3-EFB

Product Series

ST Hightec EFB

Bosch 10 Digit Part Number

0092S67113

Technology

EFB (Enhanced Flooded Battery)

EAN Barcode

4047026478112

Warranty Period

Refer www.boschaftermarket.com.au

Refer www.boschaftermarket.co.nz

Technical Information

Nominal Voltage

12V

Nominal Capacity (20HR)

70 AH

Reserve Capacity

120 mins

Coldcranking Amps (CCA)

680 Amps

Case Size Dimension

Length

277 mm (10.90 inches)

Width

175 mm (6.89 inches)

Container Height

167 mm (6.57 inches)

Total Height (with Terminal)

190 mm (7.48 inches)

Approx Weight

19.3 kg (42.4 lbs)

Terminal

(-+)

Container Material

Polypropylene

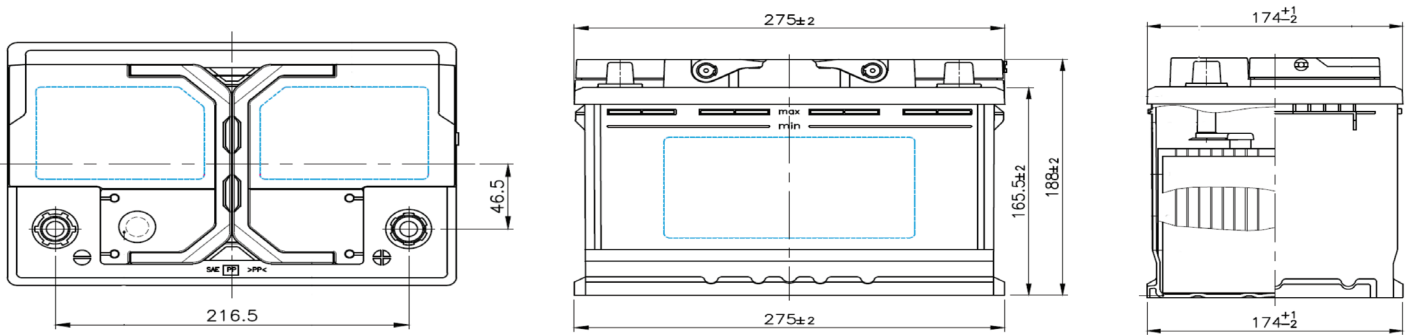
Lid Design

Labrynth Lid

Base Hold Down

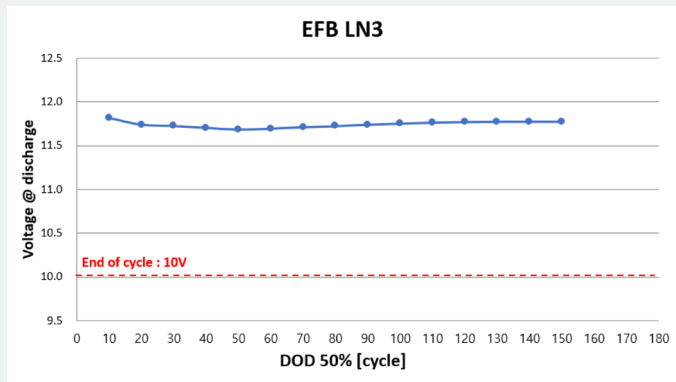
B3

Product Dimension & Design

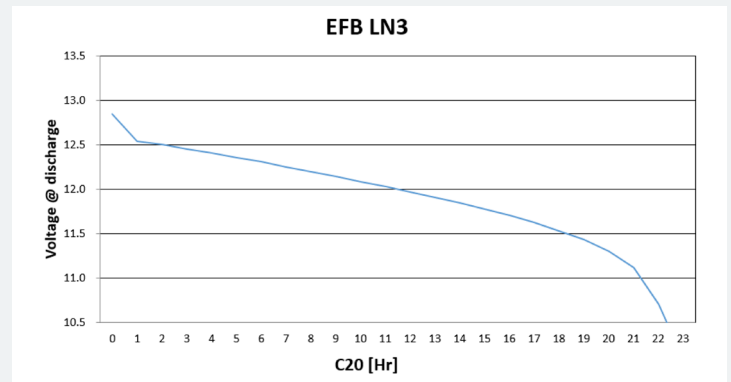


Product Performance Overview

Depth of Discharge Cycling Test



Discharge Characteristics Test



Your address for genuine Bosch quality:

Dealer stamp here: