

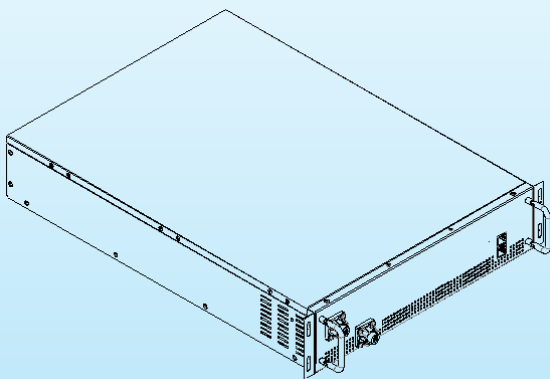
Overview

Vision Technology provides safe LiFePO4 battery solutions for UPS and Energy storage system. This battery system serves for UPS and Energy storage system with perfect compatibility and safe long cycle life.

Features

- Can/RS485 Communication output for monitoring
- Achieve up 32 BMU in cascade communication
- Internal cell balancing ,Passive equalization , the maximum equalization current up to 300mA
- High-precision cell voltage and temperature acquisition: $\pm 3\text{mv}$, $\pm 1^\circ\text{C}$;
- Fan control circuit and interface, realize heat dissipation inside the module

Module Preview



Module 51.2V100Ah

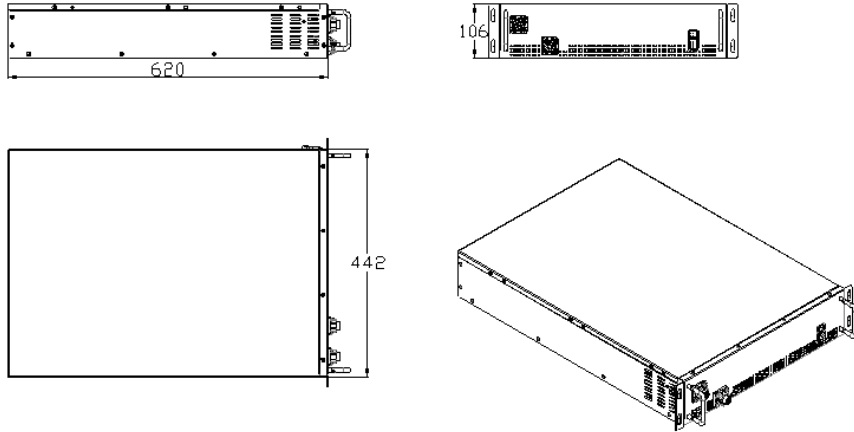
Performance Data

Time(h)	1	2	4	5	10
Constant Power(kw)	50.80	25.50	12.80	10.24	5.120
Constant Current(A)	100	50	25	20	10

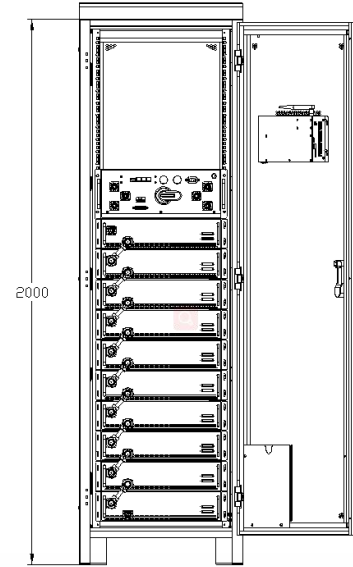
Rack Specification

Voltage Range(V)	448~552	
Cell	3.2V100Ah	
Series & Parallels	160S1P	
Rated Voltage(V)	512	
Rated Capacity(Ah)	100	
Rated Energy(KWh)	51.2	
Maximum Charge Current(A)	50	
Discharge cut-off voltage(V)	448	
Charge voltage(V)	544 ~ 552	
Cycle life(@25°C,0.5C/0.5C,100%DOD)	>3000	
Short-circuit current (< 10ms)	Approx.5000A	
System Dimension(W* D* H)	(600*1000*2000) mm	
Total Weight(Kg)	Approx.650	
Internal Resistance Fully Charged@ 25	80mOhms	
Thermal Management	natural cooling	
Operating temperature	charge	0 ~ 50
	discharge	-20 ~ 65
Operating humidity	60 ± 25%R.H.	
Communication	CAN/RS485	
Dry Contact	Y	
System parallels		15 (GBMS)
		> 15 (GBMS+IPC)
Screen	optional	

Module size



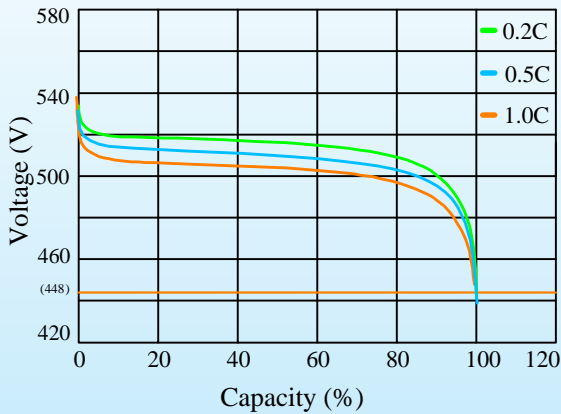
System



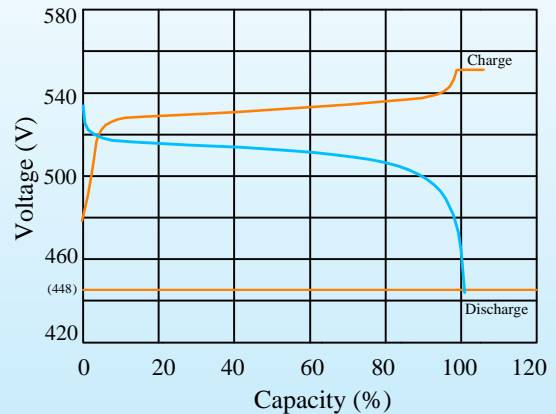
Cabinet TPL50

Characteristics Curve

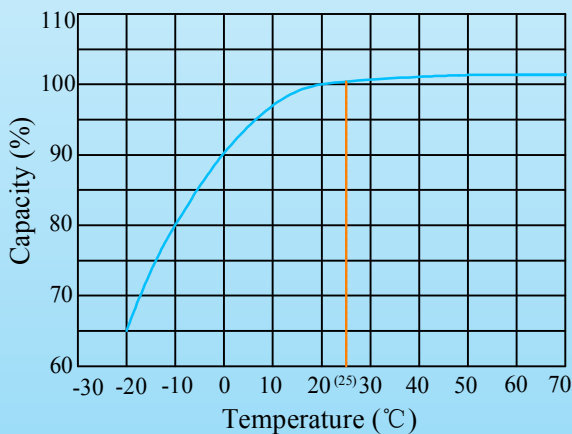
Discharge Performance at 25 °C



Charge and Discharge at 25 °C, 0.5C



Temperature effects on capacity at 0.5C



Cycle life with DOD at 25 °C
0.5C discharge and 0.5C charge

